

## Excellent Integrated System Limited

Stocking Distributor

Click to view price, real time Inventory, Delivery & Lifecycle Information:

[Visual Communications Company, LLC](#)

[CMD11304A](#)

For any questions, you can email us directly:

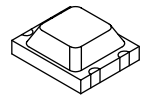
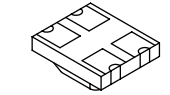
[sales@integrated-circuit.com](mailto:sales@integrated-circuit.com)

REV	ECR NO.	DATE
A	10950 NEW RELEASE	11/23/94
B	14472 ADD POLARITY TO BI-COLOR LED	4/8/97
C	15244 KB CHG'D CATHODE POS. AND ADDED SHT. 2	10/23/97
D	20407 RHW REMOVED PART NUMBER CMD11304AUR.	05/04/01

SPECIFICATIONS		CMD11304AUR						CMD11304A			CMD11304AG			CMD11304BG		
EMITTED COLOR	△	CHIP #1	H.E.R	Y	A	H.E.G	△	H.E.R	A	UR	H.E.G	H.E.G	H.E.G	H.E.G	H.E.G	H.E.G
LENS COLOR		CHIP #2														
DIFFUSED-NONDIFFUSED																

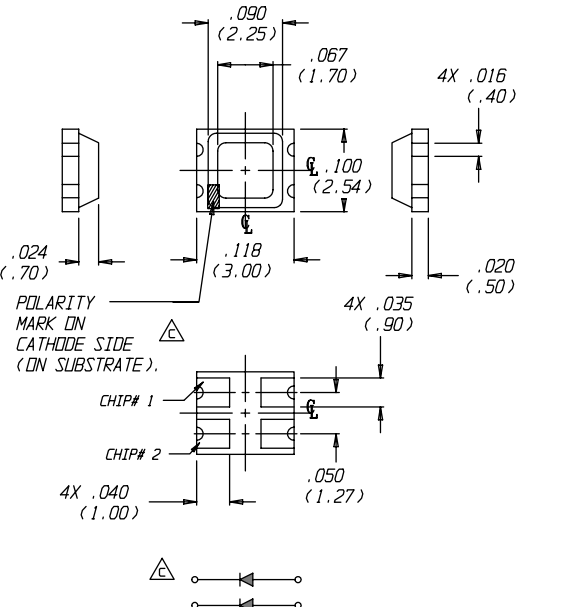
ABSOLUTE MAXIMUM RATINGS								SYMBOLS	UNITS	
POWER DISSIPATION		65	70	80	65	65	80	45	Pd	mW
FORWARD CURRENT (AVERAGE)		25	25	25	25	25	25	25	I <sub>F</sub>	mA
PEAK FORWARD CURRENT (1 ns @ 10% DUTY CYCLE)		100	100	100	100	100	100	100	I <sub>FM</sub>	mA
REVERSE VOLTAGE	I <sub>R</sub> =100 μA	4.0	4.0	4.0	4.0	4.0	4.0	4.0	V <sub>R</sub>	V
STORAGE/OPERATING TEMP.		-25 TO +75							T <sub>opr</sub>	°C
LEAD SOLDER TIME AT 260°C		10								SECONDS

ELECTRO-OPTICAL CHARACTERISTICS								SYMBOLS	UNITS		
FORWARD VOLTAGE	(I <sub>F</sub> =20 mA)	TYP	2.0	2.1	2.1	2.0	2.0	2.1	1.7	V <sub>F</sub>	V
		MAX	2.6	2.8	2.8	2.6	2.6	2.8	2.6		
	(I <sub>F</sub> =10 mA)	TYP									
LUMINOUS INTENSITY	(I <sub>F</sub> =20 mA)	MIN	2.6	5.0	5.0	11.0	1.6	13.0	14.0	I <sub>V</sub>	ncd
		TYP	7.0	14.0	14.0	22.0	4.0	8.0	8.0		
	(I <sub>F</sub> =10 mA)	MIN									
PEAK WAVELENGTH	(I <sub>F</sub> =20 mA)		630	585	610	565	630	610	660	λ <sub>P</sub>	nm
VIEW ANGLE			100								deg

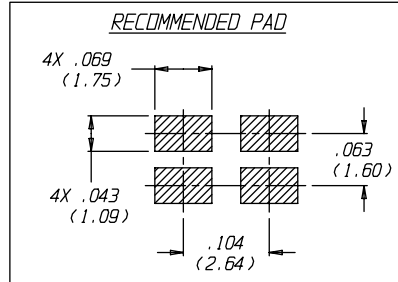


FOR REF. ONLY

DIST.  
V



IDI COLOR CODE	
D	DIFFUSED
N	NON-DIFFUSED
U	ULTRA △
C	CLEAR
R	RED
A	AMBER
G	GREEN
Y	YELLOW
H.E.	HIGH EFFICIENCY



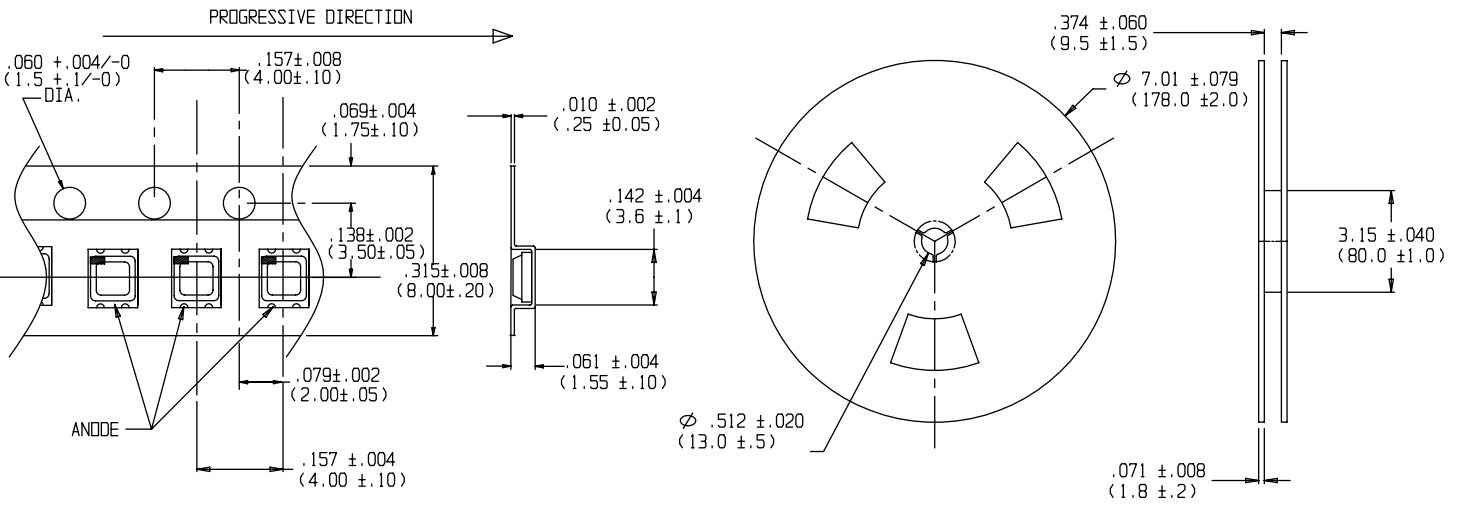
DO NOT SCALE

THIS DWG IS THE PROPERTY OF CHICAGO MINIATURE LAMP INC. AND IS PROPRIETARY IN GENERAL AND IN DETAIL. IT SHALL NOT BE COPIED OR ITS CONTENTS REVEALED TO OUTSIDE PARTIES WITHOUT THE WRITTEN CONSENT OF CHICAGO MINIATURE LAMP INC.

ALL DIM'S. ARE IN INCHES (mm).

PART NO.	SEE TABLE	TITLE	SURFACE MOUNT LED (DUAL CHIP)	
MODEL NO.				
MATERIAL:				
FINISH:				
TOLERANCE UNLESS OTHERWISE SPECIFIED:	DRAWN JEANNETTE R.	SCALE:	8:1	REV D
FRACTION 1/64	CHECKED			
DECIMAL .xxx +/- .010 .xxx +/- .005	ENG. APPRV			
MILLIMETER .x .3mm .xx .13mm				
ANGLE 1 deg.				

REV	ECR NO./DESCRIPTION	DATE
	SEE SHEET ONE	



QUANTITY 3000 PIECES PER REEL


DIST.  
V/S

NOTES:

1. ALL DIMENSIONS ARE IN INCHES (mm).
2. TAPE AND REEL DIMS PER EIA 481-1 (8 + 12mm).

*DO NOT SCALE*

THIS DWG IS THE PROPERTY OF CHICAGO MINIATURE LAMP INC. AND IS PROPRIETARY IN GENERAL AND IN DETAIL. IT SHALL NOT BE COPIED OR ITS CONTENTS REVEALED TO OUTSIDE PARTIES WITHOUT THE WRITTEN CONSENT OF CHICAGO MINIATURE LAMP INC.

PART NO. SEE TABLE	TITLE SURFACE MOUNT LED	
MODEL NO.	 <b>CHICAGO MINIATURE LAMP INC.</b> 147 CENTRAL AVE. HACKENSACK, NJ 07601	
MOLD NO.		
MATERIAL:	DRAWN K. BARRETT	SCALE: NTS
FINISH:	CHECKED	B12512
TOLERANCE UNLESS OTHERWISE SPECIFIED:	ENG. APPRV	REV □
FRACTION ± 1/64		
INCHES .xx ± .010 (0.25)		
ANGLE ± 1 deg.		

ON SMD

SHEET 2 OF 2