

Excellent Integrated System Limited

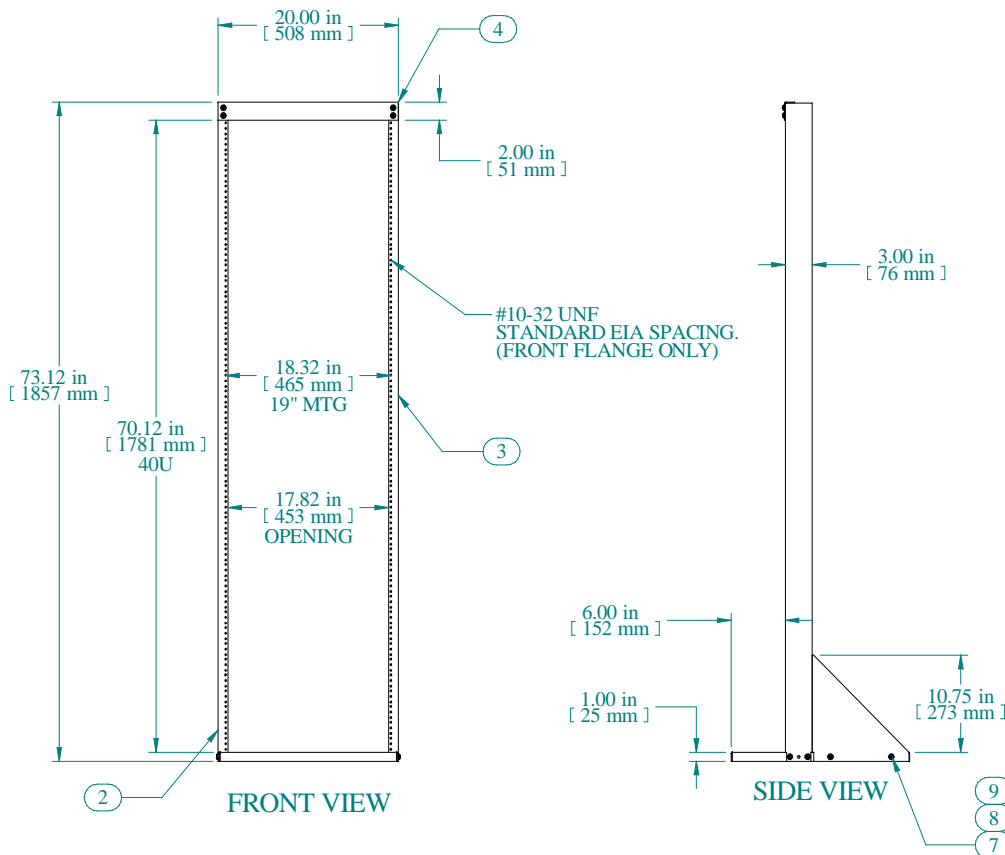
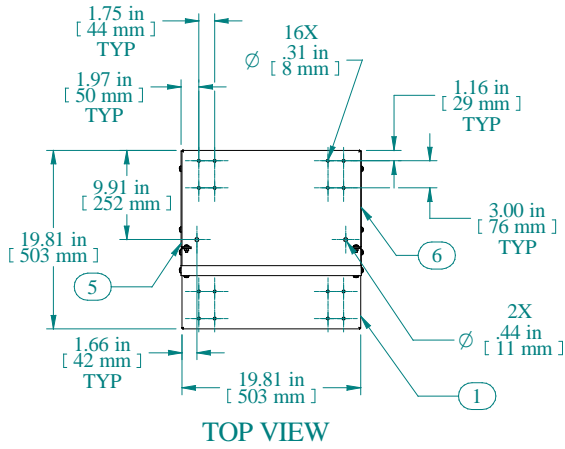
Stocking Distributor

Click to view price, real time Inventory, Delivery & Lifecycle Information:

[Hammond Manufacturing](#)
[DNRR1970LDK](#)

For any questions, you can email us directly:

sales@integrated-circuit.com



Item Number	Title	Quantity
1	DNRRLDK - BASE	1
2	DNRRLDK - L.H. RAIL	1
3	DNRRLDK - R.H. RAIL	1
4	DNRRLDK - TOP ANGLE	1
5	DNRRLDK - L.H. SUPPORT GUSSET	1
6	DNRRLDK -RL.H. SUPPORT GUSSET	1
7	SCREW 1/4-20 X 5/8 RND HD ZP	16
8	1/4" FLAT WASHER	16
9	NUT 1/4-20 KEP	16

PART NUMBERS	
DNRR1970LDK	PAINTED BLACK THIN FILM

NOTES
Shipped knockdown for handling ease & protection See Hammond Website for Additional Accessories

Data subject to change without notice. Isometric drawing not to scale.



**HAMMOND
MANUFACTURING™**

www.hammondmfg.com

PART NO. DNRR1970LDK