

## Excellent Integrated System Limited

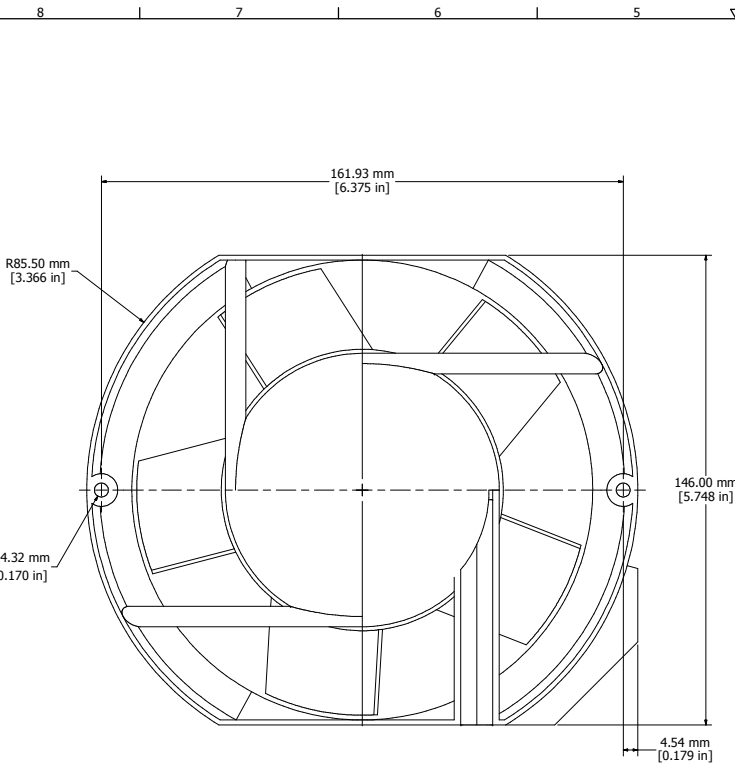
Stocking Distributor

Click to view price, real time Inventory, Delivery & Lifecycle Information:

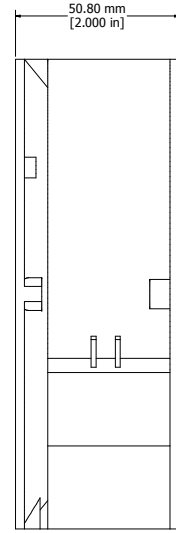
[Hammond Manufacturing](#)  
[FAN150AC115](#)

For any questions, you can email us directly:

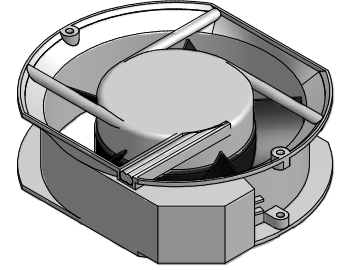
[sales@integrated-circuit.com](mailto:sales@integrated-circuit.com)



TOP VIEW



SIDE VIEW



ISOMETRIC VIEW

<b>FAN150AC115</b>
Finish - Housing - Aluminum
- Fan - Black Plastic
Rated - 115 VAC, 50/60 Hz, 0.24 Amps
Free Flow Air Delivery - 235 CFM
<b>Hardware</b>
4 Screws - Panhead Self-tapping 10-32 x 1/2"

