

## Excellent Integrated System Limited

Stocking Distributor

Click to view price, real time Inventory, Delivery & Lifecycle Information:

[Hammond Manufacturing](#)

[R147-020-000R](#)

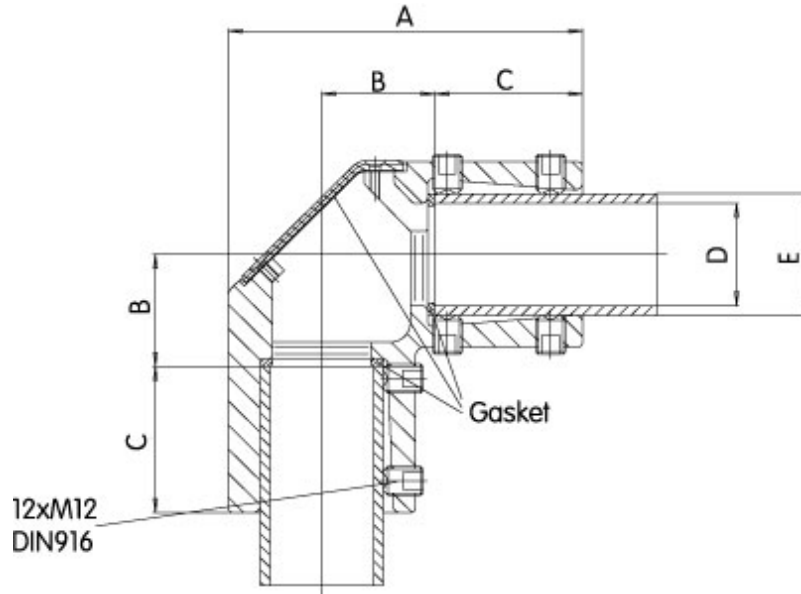
For any questions, you can email us directly:

[sales@integrated-circuit.com](mailto:sales@integrated-circuit.com)

## Heavy Duty Elbow *HDSSEL Series*



- Cast Aluminum
- Large cover opening for easier cable pull through.



| Part No.      | System | A   | B  | C  | D  | E  | Ship Wt.<br>lbs. |
|---------------|--------|-----|----|----|----|----|------------------|
| R147-020-000R | 50     | 144 | 46 | 60 | 42 | 50 | 3                |
| R147-020-200R | 80     | 193 | 56 | 83 | 70 | 80 | 6                |

*Data subject to change without notice*