

Excellent Integrated System Limited

Stocking Distributor

Click to view price, real time Inventory, Delivery & Lifecycle Information:

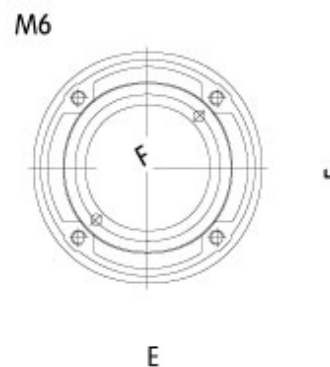
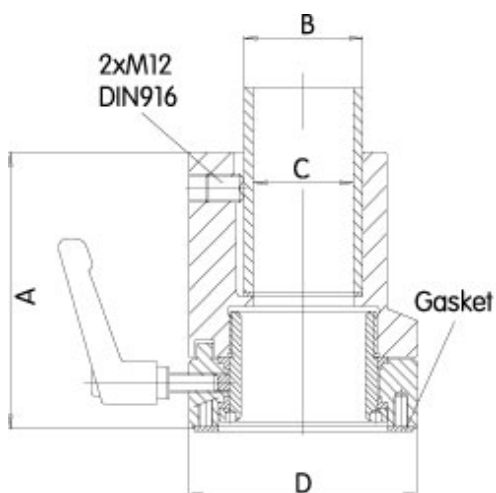
[Hammond Manufacturing](#)
[R147-025-000R](#)

For any questions, you can email us directly:
sales@integrated-circuit.com

Heavy Duty Enclosure Coupling *HDSSEC Series*



- Cast aluminum.
- Large thrust flange.
- Fastens with 4 hex socket screws.
- Adjustable torque resistance.
- Features a rotation range of 300°.



Part No.	System	A	B	C	D	E	F	Ship Wt. lbs.
R147-025-000R	50	115	50	42	96	58	52	3
R147-025-200R	80	145	80	72	139	87	85	7

Data subject to change without notice