

Excellent Integrated System Limited

Stocking Distributor

Click to view price, real time Inventory, Delivery & Lifecycle Information:

[Hammond Manufacturing](#)
[R147-035-000R](#)

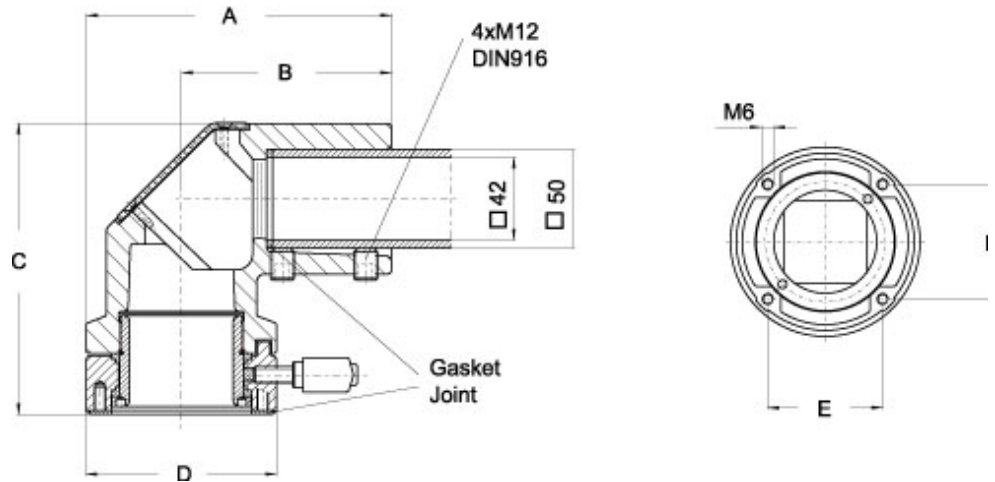
For any questions, you can email us directly:

sales@integrated-circuit.com

Heavy Duty Elbow Coupling *HDSSELC Series*



- Cast Aluminum
- Large thrust flange.
- Fastens with 4 hex socket screws.
- Adjustable torque resistance.
- Features a rotation range of 300°.



Part No.	System	A	B	C	D	E	Ship Wt. lbs.
R147-035-000R	50	154	106	147	96	58	5
R147-035-200R	80	209	139	190	139	87	15

Data subject to change without notice