

Excellent Integrated System Limited

Stocking Distributor

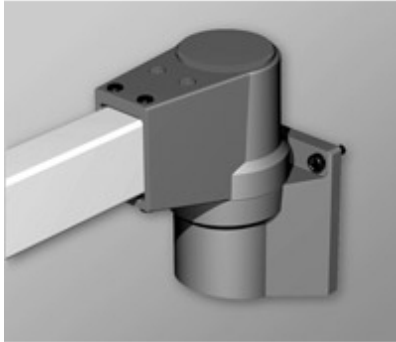
Click to view price, real time Inventory, Delivery & Lifecycle Information:

[Hammond Manufacturing](#)
[R149-010-000](#)

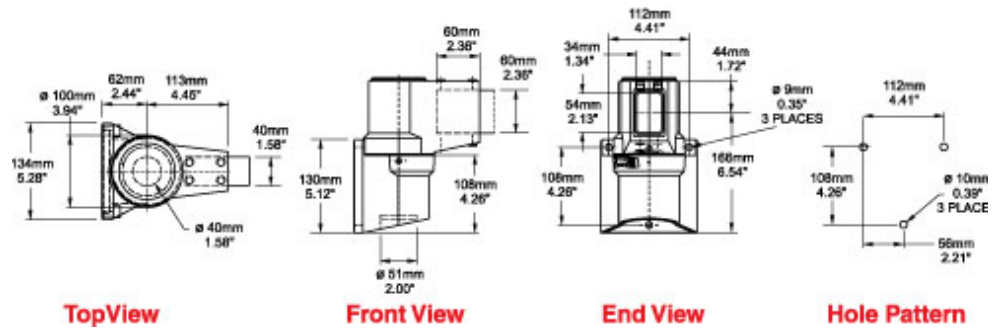
For any questions, you can email us directly:

sales@integrated-circuit.com

Tara Plus Wall Joint *TPSSWJ Series*



- Accepts 60x40mm rectangular tube perpendicular to its mounting surface.
- Die-cast Aluminum G Al Si 12.
- Rotates 186°.
- Accessible from the top.



Part No. **R149-010-000**

Data subject to change without notice