

Excellent Integrated System Limited

Stocking Distributor

Click to view price, real time Inventory, Delivery & Lifecycle Information:

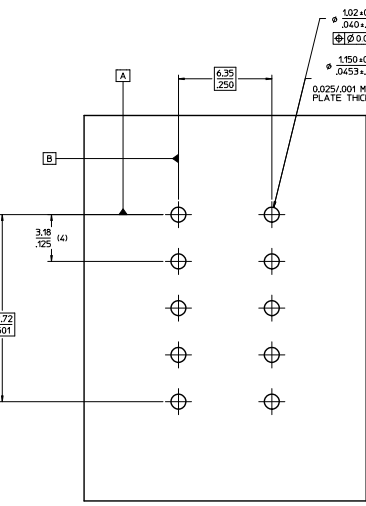
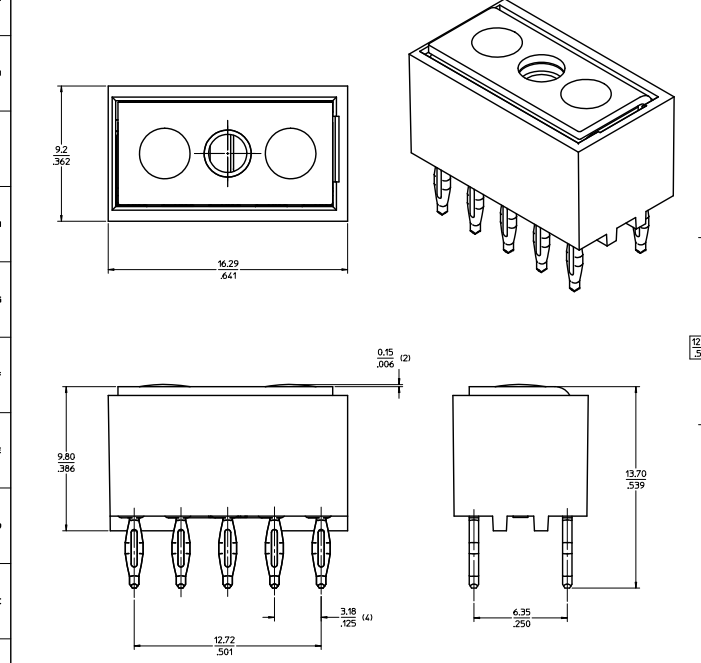
[Molex Connector Corporation](#)
[0760010010](#)

For any questions, you can email us directly:
sales@integrated-circuit.com

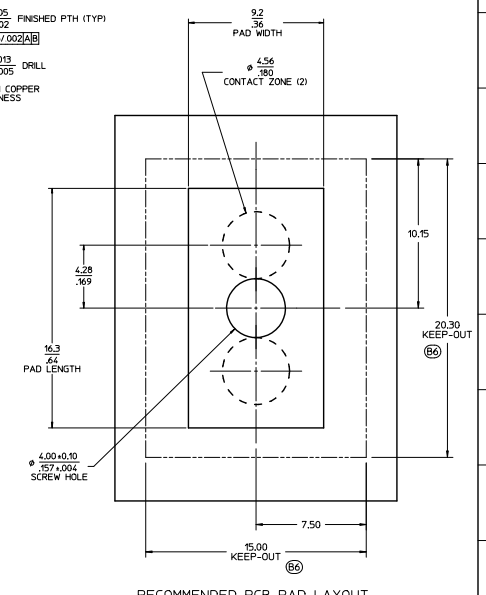
RECOMMENDED MOUNTING HARDWARE				
PCB THICKNESS	SCREW LENGTH	SCREW SIZE	FLAT WASHER SPECS. (DIN 9021)	BELLEVILLE WASHER SPECS. (DIN 6796)
0.063"	6.0mm	M3	MAT'L: STAINLESS STEEL WASHER OUTER DIA.: 9.0mm WASHER INNER DIA.: 3.2mm WASHER THICKNESS: 0.7mm	MAT'L: STAINLESS STEEL WASHER OUTER DIA.: 7.0mm WASHER INNER DIA.: 3.2mm WASHER THICKNESS: 0.6mm
0.093"	8.0mm	M3		
0.125"	8.0mm	M3		

- NOTES:
1. MATERIAL: LCP, GLASS FILLED, BLACK. CONTACTS: COPPER ALLOY
 2. PLATING: SEE CHART
 3. PRODUCT SPECIFICATION: PS-76001-001
 4. PACKAGING SPECIFICATION: PK-76001-901
 5. TO REMOVE FROM PCB, SEE Z-POWER EXTRACTION TOOL INSTRUCTION SHEET ATS-621009300. USE EXTRACTION TOOL 621005300.

* SCREW MAT'L: STAINLESS STEEL
* RECOMMENDED TORQUE = .75Nm/6.6In-Lbs.



RECOMMENDED PCB FOOT PRINT LAYOUT
PCB THICKNESS 2.36 / .093 MIN
PCB COMPLIANT TAIL INSERTION FORCE = 20LBS PER TAIL



RECOMMENDED PCB PAD LAYOUT

PART NUMBER	DESCRIPTION	PLATING
76001-0010	GOLD PLATED	SELECT GOLD: 50μ IN MIN SELECT MATTE TIN: 100μ IN MIN BOTH OVER NICKEL: 50μ IN MIN
76001-0110	TIN PLATED	MATTE TIN OVERALL: 100μ IN MIN NICKEL UNDERPLATE: 50μ IN MIN

ADD PCB KEEP-OUT EC NO. ICP/2011-1320 DESIGN/ANDHRA 20/11/15 CHKO APPROVAL DATE/20/11/15 (S)	QUALITY SYMBOLS $\nabla=0$ $\nabla=0$ $\nabla=0$	GENERAL TOLERANCES (UNLESS SPECIFIED) <table border="1"> <tr> <th></th> <th>mm</th> <th>INCH</th> </tr> <tr> <td>4 PLACES</td> <td>±.002</td> <td>±.002</td> </tr> <tr> <td>3 PLACES</td> <td>±0.05</td> <td>±.005</td> </tr> <tr> <td>2 PLACES</td> <td>±0.13</td> <td>±.010</td> </tr> <tr> <td>1 PLACE</td> <td>±0.25</td> <td>±.010</td> </tr> </table> ANGULAR ±1/2°		mm	INCH	4 PLACES	±.002	±.002	3 PLACES	±0.05	±.005	2 PLACES	±0.13	±.010	1 PLACE	±0.25	±.010	DIMENSION STYLE MM/IN DRAWN BY: DMCOWAN 2005/11/07 CHECKED BY: MSANDBERG 2006/02/04 APPROVED BY: APATEL 2010/11/15	SCALE 8:1	DESIGN UNITS METRIC	THIRD ANGLE PROJECTION
		mm	INCH																		
	4 PLACES	±.002	±.002																		
	3 PLACES	±0.05	±.005																		
2 PLACES	±0.13	±.010																			
1 PLACE	±0.25	±.010																			
Z-POWER 10 TAIL ASSEMBLY																					
MOLEX INCORPORATED																					
SEE CHART SD-76001-001																					