

Excellent Integrated System Limited

Stocking Distributor

Click to view price, real time Inventory, Delivery & Lifecycle Information:

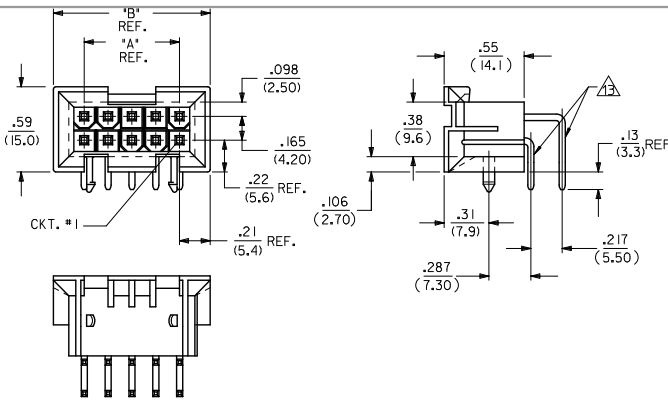
[Molex Connector Corporation](#)

[15-24-6060](#)

For any questions, you can email us directly:

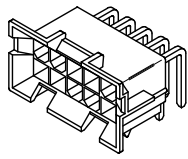
sales@integrated-circuit.com

CIRCUIT SIZE	DIM. "A"	DIM. "B"
6	.331 (8.40)	.76 (19.2)
8	.496 (12.60)	.92 (23.4)
10	.661 (16.80)	1.09 (27.6)
12	.827 (21.00)	1.25 (31.8)
14	.992 (25.20)	1.42 (36.0)
16	1.157 (29.40)	1.58 (40.2)
18	1.323 (33.60)	1.75 (44.4)
20	1.488 (37.80)	1.91 (48.6)
22	1.654 (42.00)	2.08 (52.8)
24	1.819 (46.20)	2.24 (57.0)

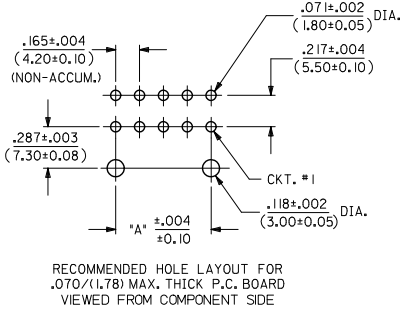


NOTES:

- 1) MATERIAL: HOUSING: "A" = NYLON 6/6, U.L. 94V-2, COLOR: NATURAL. "B" = NYLON 6/6, U.L. 94V-0, COLOR: NATURAL. TERMINAL: BRASS ALLOY
 - 2) TERMINAL PLATING:
 - 1 = .000100/(.00254) MIN. MATTE TIN OVER .000050/(.00127) MIN. NICKEL OVERALL.
 - 5 = .000030/(.00076) MIN. SELECT GOLD AND .000100/(.00254) MIN. SELECT MATTE TIN OVER .000050/(.00127) MIN. NICKEL OVERALL.
 - 3) PRODUCT SPECIFICATION: PS-5556-002
 - 4) PACKAGING SPECIFICATION: PK-42404-002.
 - 5) 4-24 CKT. PARTS MATE WITH MINI-FIT JR. RECEPTACLES #5557, #42385, #44516 AND #42474. 2 CKT. PART MATES WITH #42385, #44516 AND #42474 ONLY.
 - 6) PART ALLOWS FOR UP TO .100/(2.54) MISALIGNMENT WITH MATING RECEPTACLE IN ANY DIRECTION. SEE MATING CONNECTOR DRAWINGS FOR SPECIFIC ALLOWANCES.
 - 7) CONNECTOR ASSEMBLIES ARE NOT TO BE MATED OR UNMATED WHILE CIRCUITS ARE LIVE.
 - 8) A MAXIMUM TOLERANCE OF .050/(1.27) ALLOWS FOR 2 POINTS OF ELECTRICAL CONTACT. A MAXIMUM TOLERANCE OF .020/(.51) ALLOWS FOR 4 POINTS OF CONTACT.
 - 9) DISCOLORATION IN THE BANDOLIER CARRIER AREA OF THE PIN IS INHERENT TO THE PLATING PROCESS AND IS DUE TO THE MASKING EFFECT OF THE CARRIER. THIS DISCOLORATION IS IN A NON-FUNCTIONAL AREA OF THE PIN AND WILL NOT AFFECT THE PERFORMANCE OF THE HEADER ASSEMBLY.
 - 10) PART IS NOT DESIGNED FOR CURRENT SHARING.
 - 11) PART IS NOT INTENDED TO PROVIDE ANY ALIGNMENT OF CUSTOMER COMPONENTS OR MODULES, SUCH AS POWER SUPPLIES AND CHASSIS.
 - 12) PARTS CONFORM TO CLASS "B" REQUIREMENTS OF COSMETIC SPECIFICATION PS-45499-002.
- ⚠ FORMING MARKS ARE ACCEPTABLE.

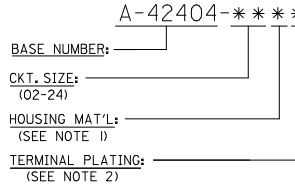


A-42404-****



RECOMMENDED HOLE LAYOUT FOR .070/(1.78) MAX. THICK P.C. BOARD VIEWED FROM COMPONENT SIDE

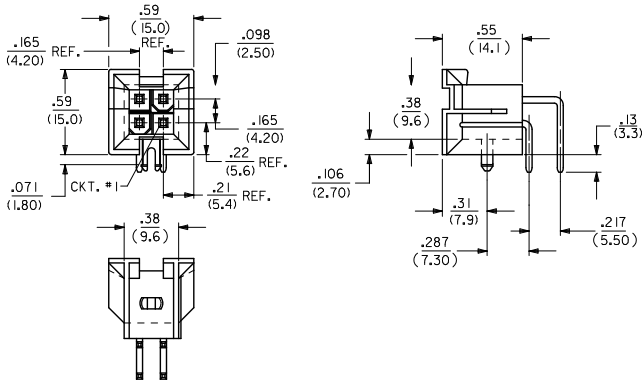
LEGEND:



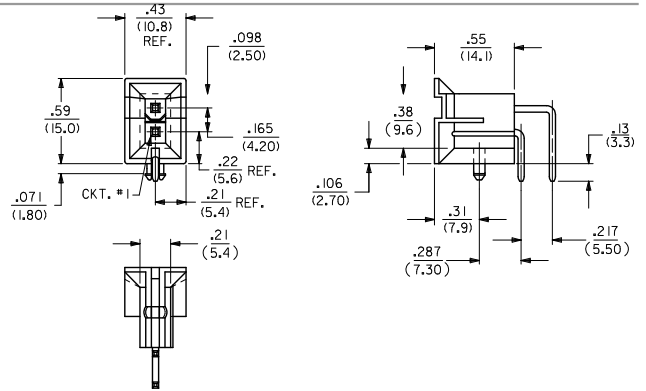
Part #	Quantity	Part #	Quantity	Part #	Quantity	Part #	Quantity	Part #	Quantity	Part #	Quantity
--B2, --B4	42474	--2I, 5556-PBGS*P	94V-0								
--A2, --A4	42474	--1I, 5556-PBGS*P	94V-2								
--B1, --B3	42474	--2I, 5556-PBS*P	94V-0								
--A1, --A3	42474	--1I, 5556-PBS*P	94V-2								
--B2, --B4	42474	--2I, 5556-CS*P	94V-0								
--A2, --A4	42474	--1I, 5556-CS*P	94V-2								
--B1, --B3	42474	--2I, 5556-S*P	94V-0								
--A1, --A3	42474	--1I, 5556-S*P	94V-2								
--B2, --B4	A-42385	--D2	94V-0								
--A2, --A4	A-42385	--C2	94V-2								
--B1, --B3	A-42385	--D1	94V-0								
--A1, --A3	A-42385	--C1	94V-2								
--B2, --B4	A-42385	--B2	94V-0								
--A2, --A4	A-42385	--A2	94V-2								
--B1, --B3	A-42385	--B1	94V-0								
--A1, --A3	A-42385	--A1	94V-2								

Part #	Quantity	Part #	Quantity	Part #	Quantity	Part #	Quantity	Part #	Quantity
R.A. HEADER	A-42404	MATING CONNECTOR	HSG. MAT'L.	TERM. MAT'L.	PLATING				
					MATING CONNECTOR FEATURES				

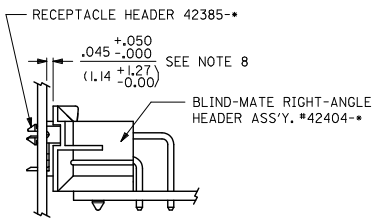
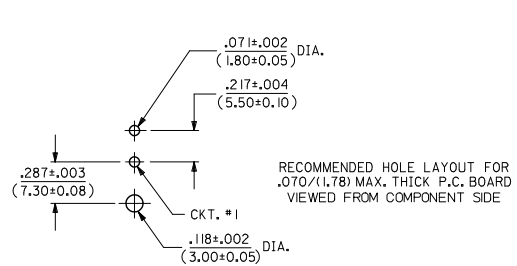
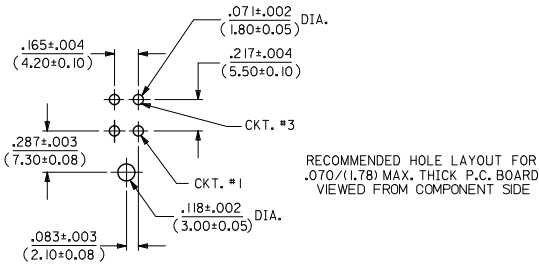
UPDATE NOTE 5		QUALITY SYMBOLS	GENERAL TOLERANCES (UNLESS SPECIFIED)		DIMENSION STYLE		SCALE		DESIGN UNITS		THIRD ANGLE PROJECTION	
EC NO.	DATE		mm	INCH	IN/MM	DATE	METRIC	DATE	INCH	DATE	DATE	
UCP202-2990	2017/03/12	0	± .10	± .010	RWK	2/7/89						
DRW:NGUYEN	2017/03/12	0	± .10	± .010	RJK	2/7/89						
CHKD:BELLI	2017/03/12	0	± .10	± .010	RJK	2/7/89						
APPR:SMITH	2017/05/04	0	± .10	± .010	FSM	11/1/01						
APPROVED BY: DATE		ANGULAR ± 1/2°		MATERIAL NO.		DOCUMENT NO.		SHEET NO.		THIS DRAWING CONTAINS INFORMATION THAT IS PROPRIETARY TO MOLEX INCORPORATED AND SHOULD NOT BE USED WITHOUT WRITTEN PERMISSION		
				SEE SHEET 3		SDA-42404-****		1 OF 3				



A-42404-04**



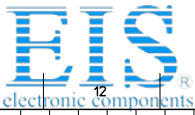
A-42404-02**



PANEL-TO-P.C.BOARD

SEE RECEPTACLE DRAWINGS FOR ADDITIONAL MATING CONFIGURATIONS

SEE SHEET 1 EC NO: UCP2012-2990 DRAWING NO: 2017/03/12 CHKD: BELL APPR: SMITH 2017/05/04	QUALITY SYMBOLS ∇=0 ∇=0 ∇=0	GENERAL TOLERANCES (UNLESS SPECIFIED)		DIMENSION STYLE		SCALE	DESIGN UNITS	THIRD ANGLE PROJECTION	
				IN/MM		2:1	METRIC		
		4 PLACES ±---	±---	DRAWN BY	DATE	TITLE			
		3 PLACES ±---	±.010	RWK	2/7/89	MINI-FIT JR. 2-24 CKT RIGHT ANGLE HEADER ASSY (BLIND MATE)			
2 PLACES ±0.25	±.015	CHECKED BY	DATE	MOLEX INCORPORATED					
1 PLACE ±0.38	±---	RJF	2/7/89						
ANGULAR ±1/2°		APPROVED BY	DATE						
		FSMITH	2011/11/01						
DRAFT WHERE APPLICABLE MUST REMAIN WITHIN DIMENSIONS		MATERIAL NO.		DOCUMENT NO.		SHEET NO.			
		SEE SHEET 3		SDA-42404-****		2 OF 3			
		THIS DRAWING CONTAINS INFORMATION THAT IS PROPRIETARY TO MOLEX INCORPORATED AND SHOULD NOT BE USED WITHOUT WRITTEN PERMISSION							



J	I	H	G	F	E	D	C	B	A
PLATING (NOTE 5)	CKT. HOUSING MATERIAL	ENG. NUMBER	PART NUMBER	PLATING (NOTE 2)	CKT. HOUSING MATERIAL	ENG. NUMBER	PART NUMBER	PLATING (NOTE 2)	CKT. HOUSING MATERIAL
					94V-2	A-42404-02A1	NOT TOOLED		2
						-04A1	15-24-6040		4
						-06A1	15-24-6060		6
						-08A1	NOT TOOLED		8
						-10A1	15-24-6100		10
						-12A1	NOT TOOLED		12
						-14A1	15-24-6140		14
						-16A1	NOT TOOLED		16
						-18A1	15-24-6180		18
						-20A1	NOT TOOLED		20
						-22A1	NOT TOOLED		22
					94V-2	A-42404-24A1	15-24-6240		24
							NOT TOOLED		02
					94V-2	A-42404-02A5	15-24-9047		04
							15-24-9067		06
							NOT TOOLED		08
							15-24-9107		10
							NOT TOOLED		12
							15-24-9147		14
							NOT TOOLED		16
							15-24-9187		18
							NOT TOOLED		20
							NOT TOOLED		22
					94V-2	A-42404-24A5	15-24-9247		24
							NOT TOOLED		2
					94V-0	A-42404-02B1	15-24-9044		4
							15-24-9064		6
							NOT TOOLED		8
							15-24-9104		10
							NOT TOOLED		12
							15-24-9144		14
							15-24-9164		16
							15-24-9184		18
							NOT TOOLED		20
							NOT TOOLED		22
					94V-0	A-42404-24B1	15-24-9244		24
							NOT TOOLED		02
					94V-0	A-42404-04B5	15-24-6043		04
							15-24-6063		06
							NOT TOOLED		08
							15-24-6103		10
							NOT TOOLED		12
							15-24-6143		14
							15-24-6163		16
							15-24-6183		18
							NOT TOOLED		20
							NOT TOOLED		22
					94V-0	A-42404-24B5	15-24-6243		24

SEE SHEET 1 EC NO: UCP2012-2990 DRAWING NO: 2017/03/12 CHKD: J.BELL APPR: S.MITH 2017/05/04	QUALITY SYMBOLS 	GENERAL TOLERANCES (UNLESS SPECIFIED)		DIMENSION STYLE IN/MM		SCALE 1:1	DESIGN UNITS METRIC	THIRD ANGLE PROJECTION	
		4 PLACES ± 0.10 3 PLACES ± 0.15 2 PLACES ± 0.25 1 PLACE ± 0.38	mm INCH ± 0.10 ± 0.010 ± 0.15 ± 0.015 ± 0.25 ± 0.025 ± 0.38 ± 0.038	DRAWN BY RWK	DATE 2/7/89	TITLE MINI-FIT JR. 2-24 CKT RIGHT ANGLE HEADER ASSY (BLIND MATE)			
		APPROVED BY F.S.MITH		DATE 2011/11/01	MOLEX INCORPORATED				
		DRAFT WHERE APPLICABLE MUST REMAIN WITHIN DIMENSIONS		SEE CHART		DOCUMENT NO. SDA-42404-****		SHEET NO. 3 OF 3	

THIS DRAWING CONTAINS INFORMATION THAT IS PROPRIETARY TO MOLEX INCORPORATED AND SHOULD NOT BE USED WITHOUT WRITTEN PERMISSION