

Excellent Integrated System Limited

Stocking Distributor

Click to view price, real time Inventory, Delivery & Lifecycle Information:

[Panasonic Electronic Components](#)
[EVQ-PQHB55](#)

For any questions, you can email us directly:

sales@integrated-circuit.com

Panasonic

Light Touch Switches/EVQPQ

4.5 mm Square SMD Light Touch Switches

Type: **EVQPQ**



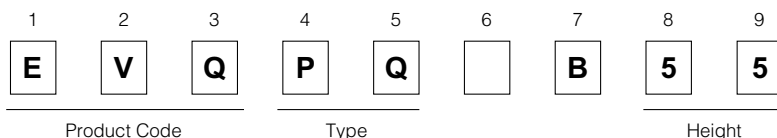
■ Features

- External dimensions: 4.5 mm×4.5 mm, Height 0.55 mm
- Lightweight: 20 mg (1/2 compared with conventional type)

■ Recommended Applications

- Operation switches for portable electronic equipment (Camcorders, Portable audio players, etc.)

■ Explanation of Part Numbers



■ Specifications

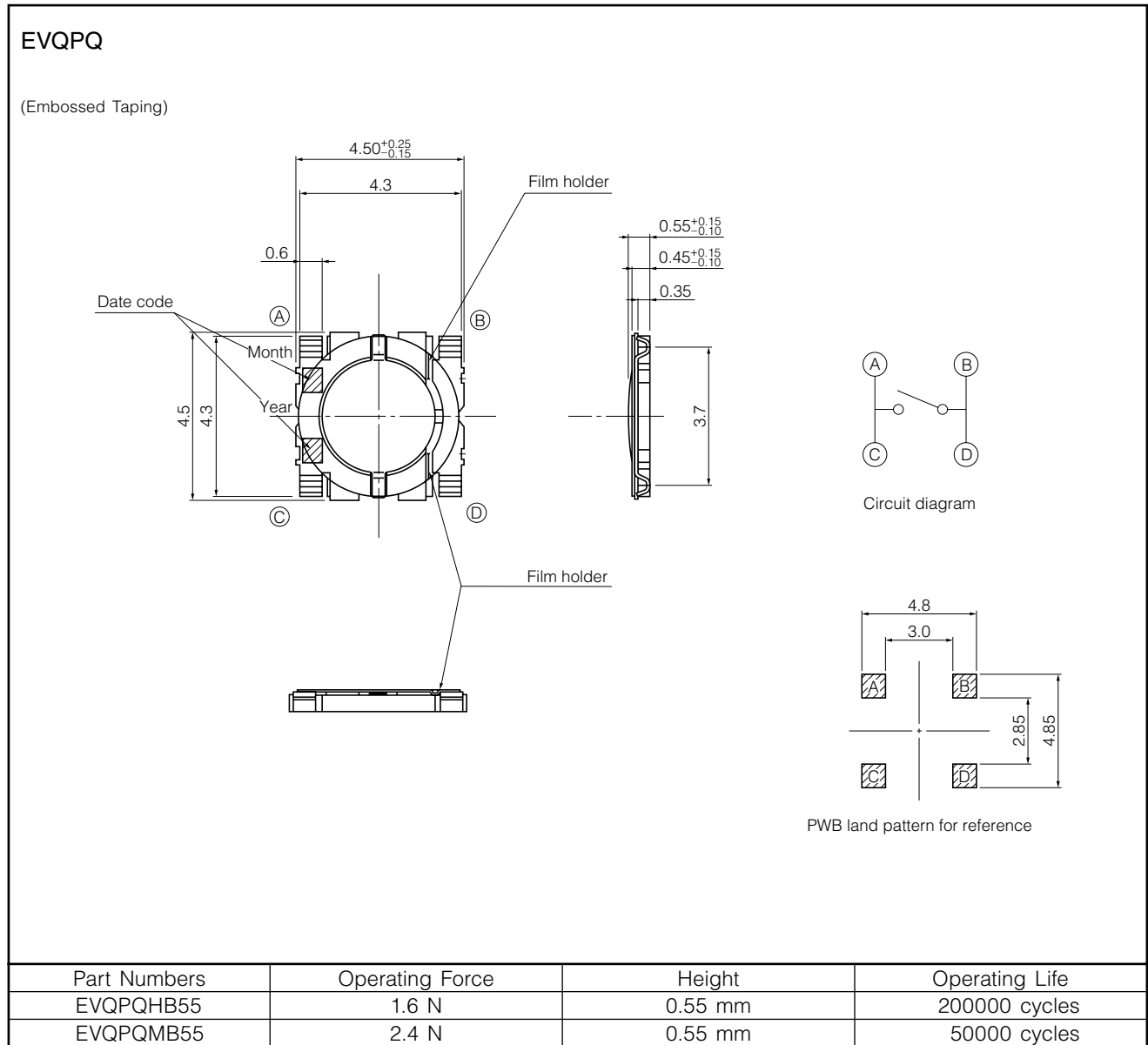
Type		Snap action/Push-on type SPST
Electrical	Rating	10 μ A 2 Vdc to 20 mA 15 Vdc (Resistive load)
	Contact Resistance	100 m Ω max.
	Insulation Resistance	50 M Ω min. (at 100 Vdc)
	Dielectric Withstanding Voltage	250 Vac for 1 minute
	Bouncing	3 ms max. (ON) 10 ms max. (OFF)
Mechanical	Operating Force	1.6 N \pm 0.5 N 2.4 N \pm 0.6 N
	Travel	0.2 mm \pm 0.1 mm
Endurance	Operating Life	200000 cycles min. (1.6 N), 50000 cycles min. (2.4 N)
Operating Temperature		-20 °C to +70 °C
Storage Temperature		-40 °C to +85 °C (Bulk) -20 °C to +60 °C (Taping)
Minimum Quantity/Packing Unit		10000 pcs. Embossed Taping (Reel Pack)
Quantity/Carton		50000 pcs.

Note: Non washable

Panasonic

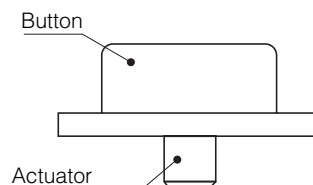
Light Touch Switches/EVQPQ

■ Dimensions in mm (not to scale)



■ Before using this product

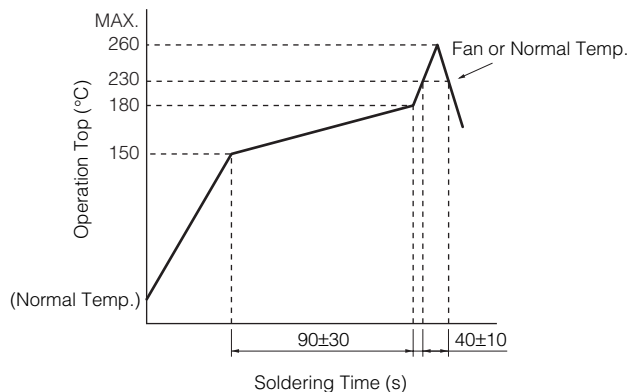
- If the inclination of the actuator is widened by using soft materials, such as rubber, for the setting side of the operation section (connecting area between button and actuator), it may cause functional problems.



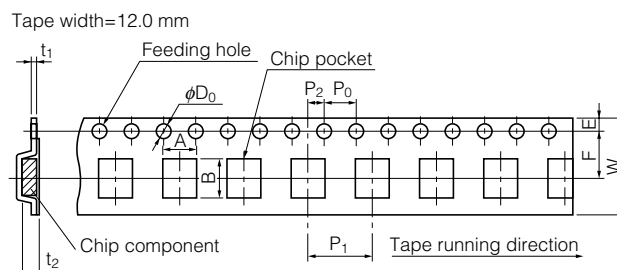
Panasonic

Light Touch Switches/EVQPQ

Recommended Reflow Soldering Conditions



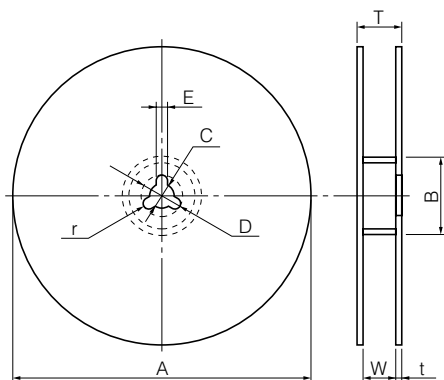
Embossed Carrier Taping



Unit: mm

Part No.	Height	A	B	W	F	E	P ₁	P ₂	P ₀	D ₀ Dia.	t ₁	t ₂
EVQPQ	0.55	5.0 ^{+0.30} _{-0.25}	4.6 ^{+0.3} ₋₀	12.0±0.1	5.5±0.1	1.75±0.10	8.0±0.1	2.0±0.1	4.0±0.1	1.5 ^{+0.1} ₋₀	0.30±0.05	0.65 ^{+0.2} _{-0.1}

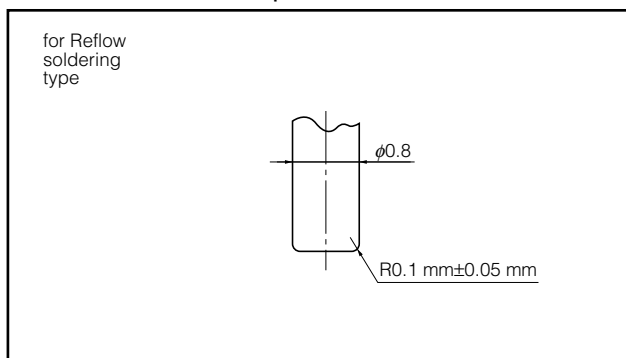
Standard Reel Dimensions in mm (not to scale)



Item	A	B	C	D	E
Rate (mm)	φ370.0±2.0	φ50.0 min.	φ13.0±0.5	φ21.0±1.0	2.0±0.5

Item	W	T	t	r
Rate (mm)	14.0±1.5	—	1.0 to 3.0	1.0±0.5

Recommended Shape of Test Pole



Recommended Operating Conditions

