

Excellent Integrated System Limited

Stocking Distributor

Click to view price, real time Inventory, Delivery & Lifecycle Information:

[Comair Rotron](#)
[19032704A](#)

For any questions, you can email us directly:
sales@integrated-circuit.com



Flight LT - CR0612HB - -032704 - Yes
60x25 - A70GL
 (Family) (Model) (Part #) (In Stock)



Electrical Specifications

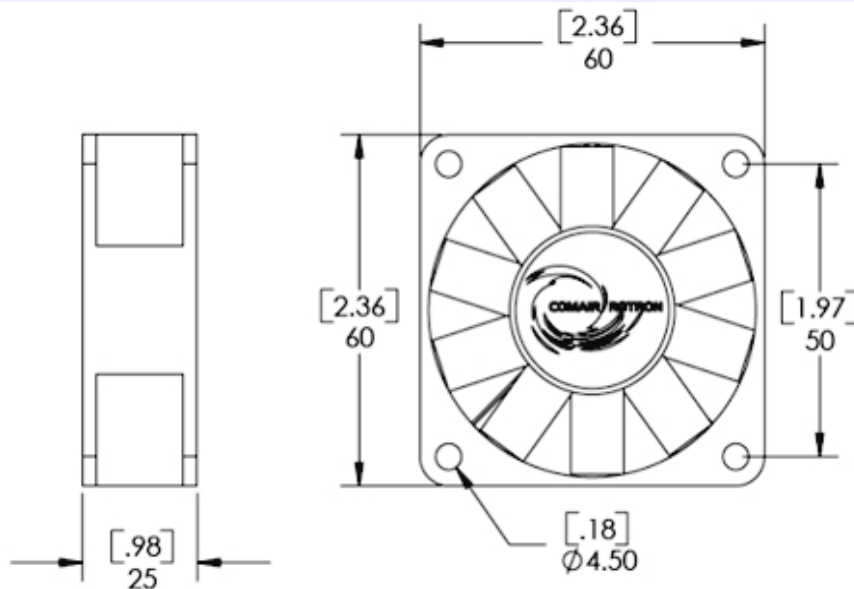
Operating Voltage:	12 Volts
Voltage Range:	10.8 - 13.2 Volts
Power Supply:	2.8 Watts
Line Current:	0.23 Amps
Locked Rotor Current	0.23 Amps
Nominal Speed:	4500 RPM

Mechanical Specifications

Dimensions:	2.4 x 2.4 x 1.0 in
Weight	2.4 oz
Max Airflow @ 0 in H ₂ O	23.0 CFM
Max Pressure @ 0 CFM	0.185 in H ₂ O
Noise	32.3 dBA



Mechanical Drawing



Comair Rotron, Inc.
 Phone: 858.348.6200
 FAX: 858.566.4577
 sales@comairrotron.com

ThermaFlo, Inc.
 Phone: 972.312.8609
 FAX: 972.312.8617
 info@thermaflo.com

Comair Rotron Europe, Ltd.
 Phone: +44.1527.520525
 FAX: +44.1527.520565
 saleseurope@comairrotron.com

Comair Rotron Fan Company Ltd.
 Phone: +86.21.52260581
 FAX: +86.21.52260597
 salesasia@comairrotron.com

Print Date: Saturday, August 18, 2007 at 23:43:34 - DC Fan Datasheet - Web Version 1.0 Rev. B



Fan Performance Curve