

Excellent Integrated System Limited

Stocking Distributor

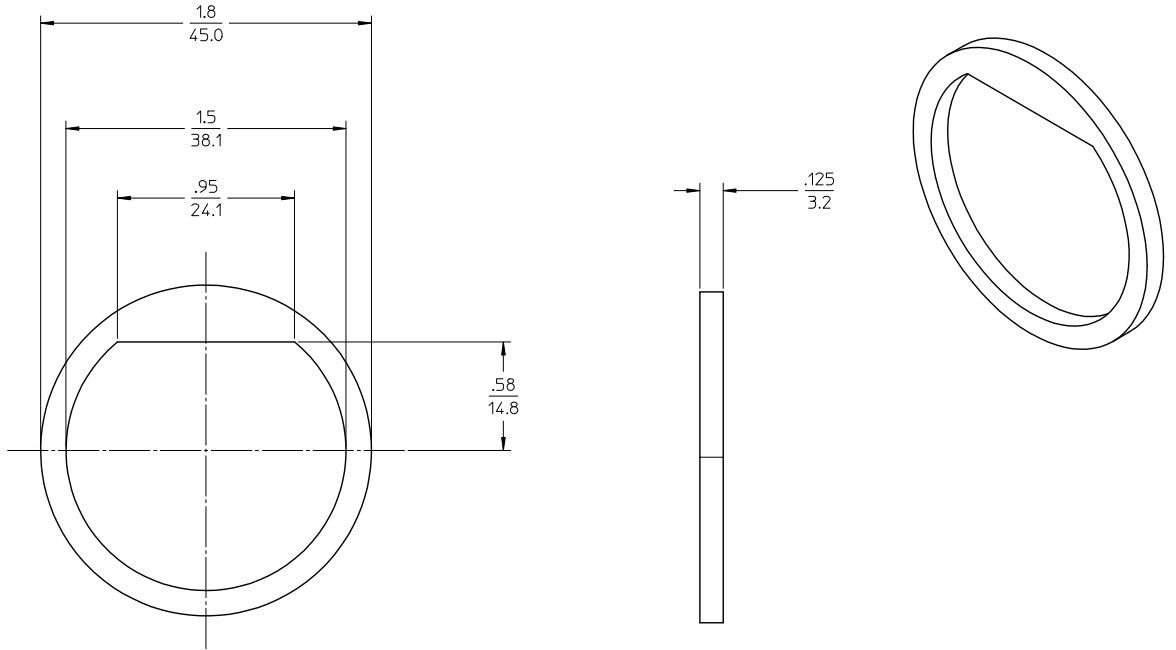
Click to view price, real time Inventory, Delivery & Lifecycle Information:

[Molex Connector Corporation](#)
[0845020027](#)

For any questions, you can email us directly:

sales@integrated-circuit.com

10 9 8 7 6 5 4 3 2 1 84502



NOTES:

1. MATERIAL: NEOPRENE
COLOR: BLACK
2. PART IS ROHS COMPLIANT.
3. USE WITH XRC RECEPTACLE CONNECTORS,
SERIES 84502 & 84508.

RELEASE EC NO: WNA2009-0507 DRAWN BY: WLEUNG CHKD BY: DTI TUS APPR: DTI TUS A	DESCRIPTION 2009/07/13 2009/07/30 REV	QUALITY SYMBOLS	GENERAL TOLERANCES (UNLESS SPECIFIED)		DIMENSION STYLE		SCALE	DESIGN UNITS	THIRD ANGLE PROJECTION	
		▽=0 ▽=0	mm	INCH	IN/MM	DATE	TITLE	GASKET FOR PANEL MOUNT 18 SHELL RECEPTACLE MOLEX INCORPORATED	INCH	THIRD ANGLE PROJECTION
		4 PLACES ± .005	± .005	DATE	DATE					
		3 PLACES ± .013	± .01	2009/07/13	2009/07/13					
2 PLACES ± 0.3	± .01	2009/07/13	2009/07/13							
ANGULAR ±1/2°			APPROVED BY		DATE		MATERIAL NO.			
DRAFT WHERE APPLICABLE MUST REMAIN WITHIN DIMENSIONS			DTI TUS		2009/07/13		845020027		DOCUMENT NO.	
							SD-84502-027		SHEET NO.	
									1 OF 1	
THIS DRAWING CONTAINS INFORMATION THAT IS PROPRIETARY TO MOLEX INCORPORATED AND SHOULD NOT BE USED WITHOUT WRITTEN PERMISSION										

9 8 7 6 5 4 3 2 1