

## Excellent Integrated System Limited

Stocking Distributor

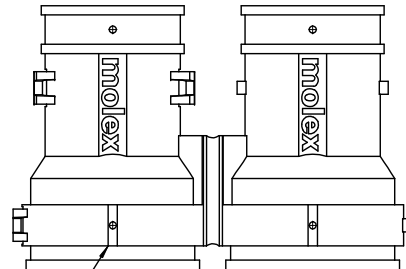
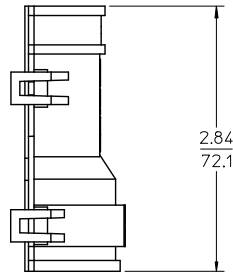
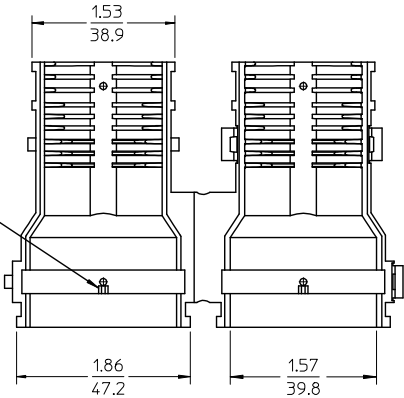
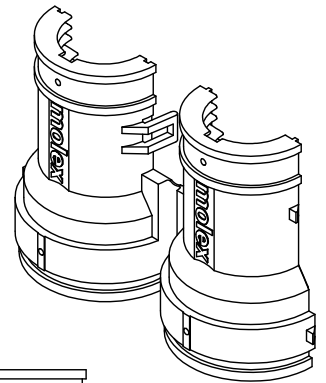
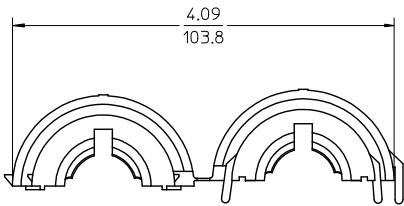
Click to view price, real time Inventory, Delivery & Lifecycle Information:

[Molex Connector Corporation](#)  
[0845370003](#)

For any questions, you can email us directly:

[sales@integrated-circuit.com](mailto:sales@integrated-circuit.com)

10 9 8 7 6 5 4 3 2 84537



NOTES:

- 1. MATERIAL: NYLON (PA6/6), BLACK, UL94 V-2
- 2. MATES WITH PART NUMBERS: 845050003, 845060003, 845100005, 845110005
- 3. CRENELLATION TABS MUST ALIGN WITH MATING PART NOTCHES
- 4. RoHS COMPLIANT
- 5. BACKSHELL ACCEPTS CORRUGATED TUBING ID SIZES 17, 19 AND 26MM

<b>MATL DESCRIPTION</b> EC NO: WNA2008-0347 DRAWN: TMOELLER 2009/05/18 CHKD: RDEROSS 2009/05/20 APPR: RDEROSS 2009/05/20	<b>QUALITY SYMBOLS</b> ▽=0 ▽=0	<b>GENERAL TOLERANCES (UNLESS SPECIFIED)</b>		<b>DIMENSION STYLE</b> IN/MM		SCALE 1:1	DESIGN UNITS INCH	THIRD ANGLE PROJECTION	
		4 PLACES ±.005 ±.005	mm	INCH	DRAWN BY	DATE	TITLE LONG BACKSHELL, STRAIGHT 24 SHELL SIZE XRC		
		3 PLACES ±.005 ±.005			TMOELLER	2008/08/14			
		2 PLACES ±.005 ±.02			TMOELLER	2008/08/14	MOLEX INCORPORATED		
1 PLACE ±.01 ±.005			APPROVED BY	DATE	DOCUMENT NO. SD-84537-003				
ANGULAR ±1/2°		MATERIAL NO. 845370003		RDEROSS 2008/08/14		SHEET NO. 1 OF 1			
DRAFT WHERE APPLICABLE MUST REMAIN WITHIN DIMENSIONS		THIS DRAWING CONTAINS INFORMATION THAT IS PROPRIETARY TO MOLEX INCORPORATED AND SHOULD NOT BE USED WITHOUT WRITTEN PERMISSION							

9 8 7 6 5 4 3 2 1