

Excellent Integrated System Limited

Stocking Distributor

Click to view price, real time Inventory, Delivery & Lifecycle Information:

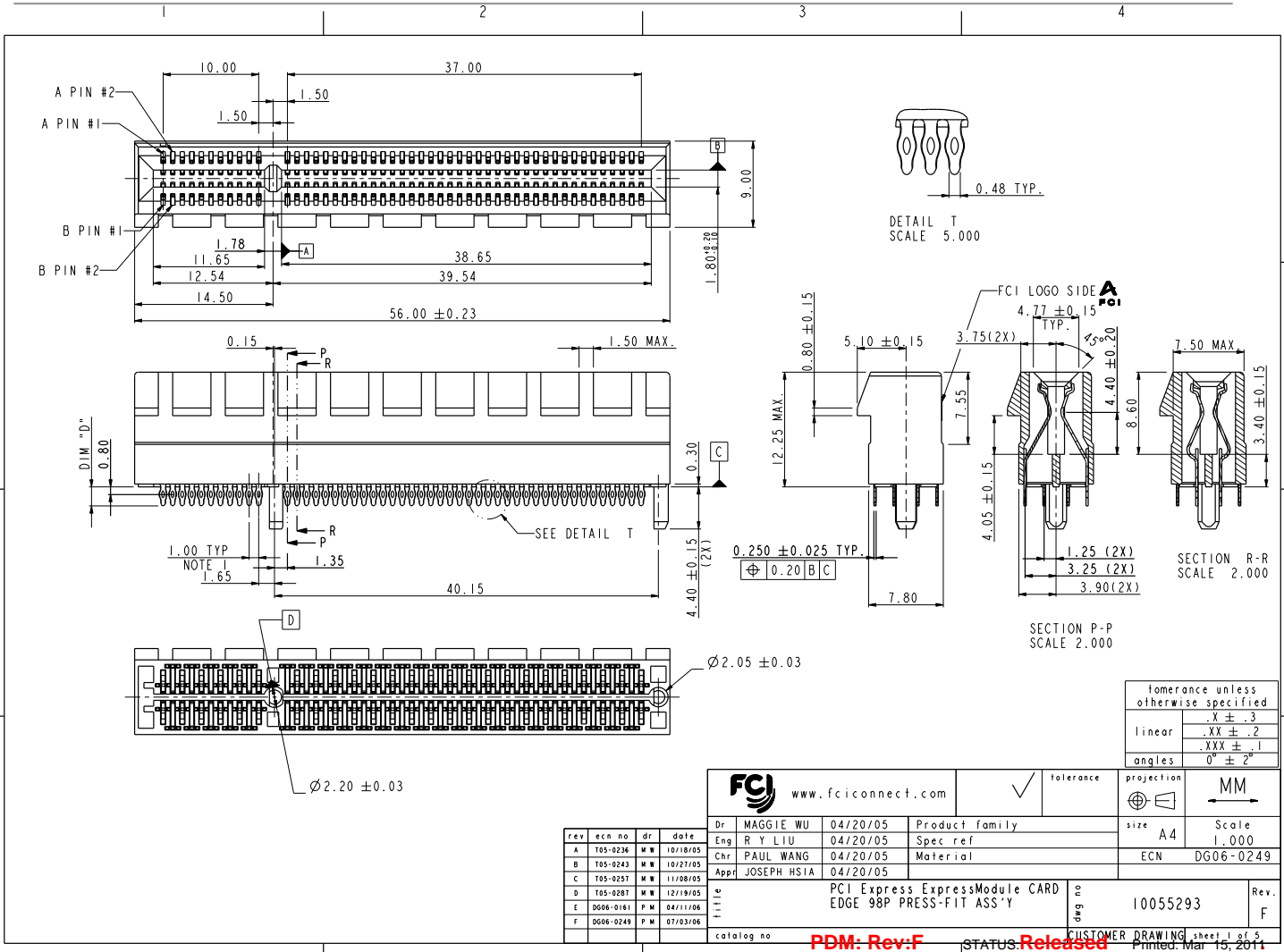
[FCI](#)
[10055293-10000TLF](#)

For any questions, you can email us directly:

sales@integrated-circuit.com

Tous droits strictement réservés. Reproduction ou communication a des tiers interdite sans aucune forme que ce soit sans autorisation écrite du propriétaire. Propriété de c. FCI. Droits de reproduction FCI.

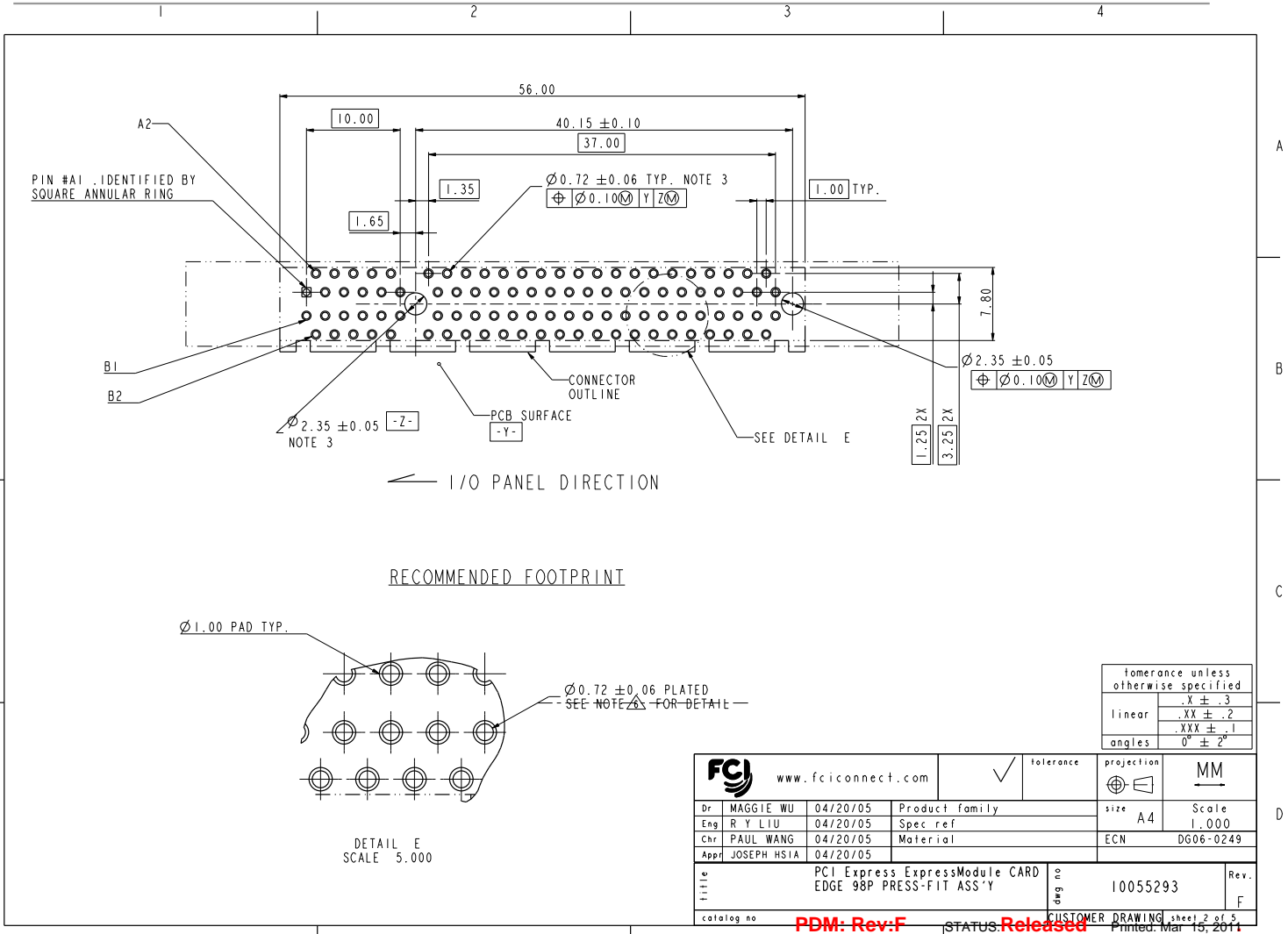
All rights strictly reserved. Reproduction or communication to other parties is not permitted without written authority from the proprietor. Property of FCI. Copyright FCI.



		www.fciconnect.com	✓	tolerance	projection	size	Scale
Dr	MAGGIE WU	04/20/05	Product family			A4	1.000
Eng	R Y LIU	04/20/05	Spec ref				
Chr	PAUL WANG	04/20/05	Material				
Appr	JOSEPH HSIA	04/20/05				ECN	DG06-0249
rev			ecn no		dr		date
A			705-0236		M W		10/18/05
B			705-0243		M W		10/27/05
C			705-0257		M W		11/08/05
D			705-0287		M W		12/19/05
E			0606-0161		P W		04/11/06
F			0606-0249		P W		07/03/06
title				PCI Express ExpressModule CARD		Part no	
EDGE 98P PRESS-FIT ASS'Y						1005293	
catalog no				PDM: Rev:F		STATUS: Released	
				CUSTOMER DRAWING		sheet 1 of 5	
						Printed: Mar 16, 2011	

Tous droits strictement réservés. Reproduction ou communication à des fins interdites sans autorisation écrite du propriétaire. Propriété de c. FCI. Droits de reproduction FCI.

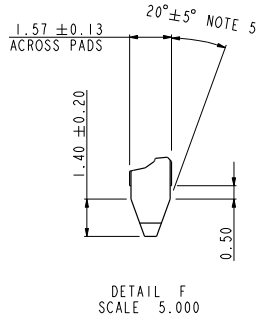
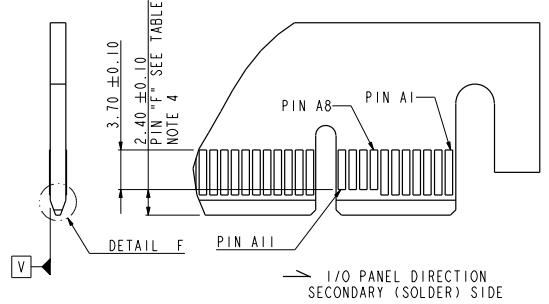
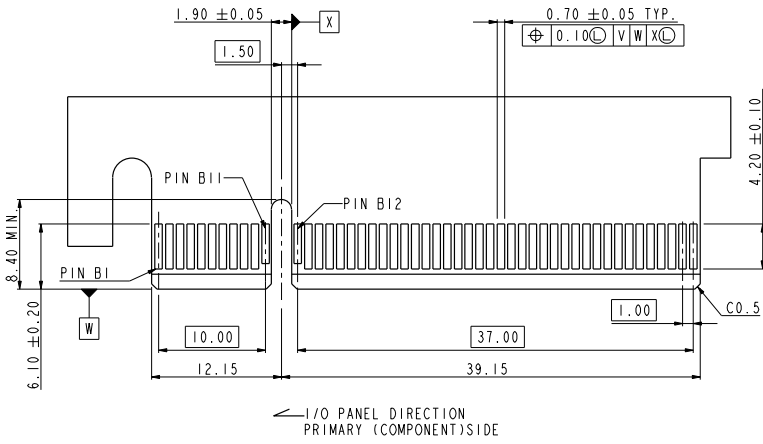
All rights strictly reserved. Reproduction or communication is not permitted without written authority from the proprietor. Property of FCI. Copyright FCI.



FCI www.fciconnect.com		tolerance	projection	MM
Dr	MAGGIE WU	04/20/05	Product family	size A4 Scale 1.000
Eng	R Y LIU	04/20/05	Spec ref	ECN DG06-0249
Chr	PAUL WANG	04/20/05	Material	
Appd	JOSEPH HSIA	04/20/05		
Title			Part no	Rev.
PCI Express ExpressModule CARD EDGE 98P PRESS-FIT ASS'Y			10055293	F
catalog no	PDM: Rev:F		CUSTOMER DRAWING	sheet 2 of 5
				Printed: Mar 15, 2011

STATUS: Released

Tous droits strictement réservés. Reproduction ou communication a des fins interdites sans aucune forme que ce soit sans autorisation écrite du propriétaire. Propriété de c. FCI. Droits de reproduction FCI.



CONNECTOR LINK WIDE	#POS REF.	"F" NOTE 4
X8	98	A8,A9,A10,A11 B11,B12

tolerance unless otherwise specified	
linear	.XX ± .2
	.XX ± .13
	.XXX ± .05
angles	0° ± 2°

	www.fciconnect.com	<input checked="" type="checkbox"/>	tolerance		MM
Dr	MAGGIE WU	04/20/05	Product family	size	A4
Eng	R Y LIU	04/20/05	Spec ref	Scale	1.000
Chr	PAUL WANG	04/20/05	Material	ECN	DG06-0249
Appd	JOSEPH HSIA	04/20/05			
title	PCI Express ExpressModule CARD EDGE 98P PRESS-FIT ASS'Y			org no	10055293
catalog no	PDM: Rev:F			STATUS: Released	Rev. F

CUSTOMER DRAWING sheet 3 of 5
Printed: Mar 16, 2011



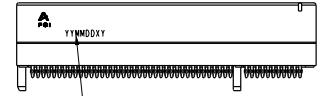
All rights strictly reserved. Reproduction or communication a des fins interdites sans aucune forme que ce soit sans autorisation écrite du propriétaire. Propriété de FCI. Copyright FCI.

Tous droits strictement réservés. Reproduction ou communication a des tiers interdite sans aucune forme que ce soit sans autorisation écrite du propriétaire. Propriété de c.FCI. Droits de reproduction FCI.

All rights strictly reserved. Reproduction or communication to other parties without written authority from the proprietor. Property of FCI. Copyright FCI.

NOTES:

1. MATERIAL:
 HOUSING: HIGH TEMPERATURE NYLON, GLASS FILLED UL94V-0 RATED, SUITABLE FOR REFLOW SOLDERING.
 TERMINAL: COPPER ALLOY
 PLATING: 50u" NICKEL UNDERPLATE ALL OVER
 CONTACT AREA PLATING - SEE PRODUCT NUMBER CODE
 SOLDER TAIL: TIN - 100u" MIN. OVER 50u" NICKEL OR TIN/LEAD 100u" MIN. SEE PRODUCT NUMBER CODE
2. PRODUCT SPECIFICATION: GS-12-319
 THE HORIZONTAL AXIS FOR THE HOLE PATTERN IS ESTABLISHED BY A LINE THROUGH THE CENTER OF THE TWO Ø2.35 HOLES.
 THE VERTICAL AXIS IS 90° TO THE HORIZONTAL AXIS, THROUGH THE CENTER OF DATUM Z.
4. NO TIE BAR PERMITTED FROM CARD EDGE TO LEADING EDGE OF PAD FOR PINS A1 AND PIN NUMBERS "F".
5. CHAMFER EDGES MUST BE FREE OF CUTTING BURRS.
6. ALL PLATED THRU HOLES SHOULD BE 0.76-0.83 mm DIA DRILLED AND 0.025mm ~ 0.05mm. ELECTRO-DEPOSITED COPPER THK ON THROUGH HOLE WALL.
7. RoHS COMPATIBLE PRODUCT SPECIFICATIONS
 a-PLATING:
 - "LF" MEANS THE PRODUCT IS LEAD-FREE, 2um MINIMUM MATTE TIN OVER 1.27um MINIMUM NICKEL UNDERPLATE.
 b-MANUFACTURING PROCESS COMPATIBILITY
 - THE HOUSING WILL WITHSTAND EXPOSURE TO 260°C±5°C SOLDER BATH TEMPERATURE FOR 10 SECONDS IN A REFLOW SOLDER APPLICATION WITH A 2.36mm AND 4.19mm MIN THICK CIRCUIT BOARD.



Date code:
 "YY" means year number
 "MM" means month number
 "DD" means day number
 "X" means manufacture location
 "D" means made in Dongguan site
 "Y" means shift number
 if date code is 060626D1, it means this part is made by shift 1 in 2006/06/26 and manufactured in Dongguan site
 Date code should be laser mark

PRODUCT NUMBER CODE

10055293 - X X X X X X X X

HOUSING COLOR OPTIONS
 1-BLACK

PEGS OPTIONS
 0-PLASTIC PEGS

TERMINAL PLATING OPTIONS

0-50u" Ni UNDERPLATE
 30u" Au CONTACT AREA
 100u" TIN TAIL AREA -----COMPATIBLE RoHS

3-50u" Ni UNDERPLATE
 30u" Au CONTACT AREA
 100u" TIN/LEAD TAIL AREA -----RoHS COMPLIANT EXCEPT Pb

LEAD FREE OPTION
 "LF" FOR TERMINAL PLATING OPTION 0
 LEAVE BLANK FOR TERMINAL PLATING OPTION 3

PACKAGING OPTIONS
 T-TRAY PACKAGING

RESERVE
 0

TAIL LENGTH OPTIONS

	DIM "D"	SUGGESTED PCB THICKNESS
0	2.00±0.20	2.36
1	3.25±0.20	4.19

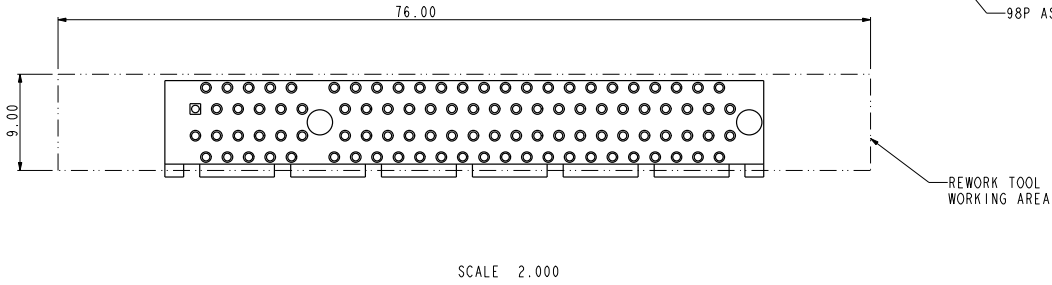
tolerance unless otherwise specified	
linear	.X ± .3 .XX ± .2 .XXX ± .1
angles	0° ± 2°

		www.fciconnect.com	<input checked="" type="checkbox"/> tolerance		MM
Dr	MAGGIE WU	04/20/05	Product family	size	A4
Eng	R Y LIU	04/20/05	Spec ref	Scale	1.000
Chr	PAUL WANG	04/20/05	Material	ECN	DG06-0249
Appd	JOSEPH HSIA	04/20/05			
title			PCI Express ExpressModule CARD EDGE 98P PRESS-FIT ASS'Y	Part no	10055293
catalog no			PDM: Rev:F	STATUS	Released
					Rev. F

Tous droits strictement réservés. Reproduction ou communication a des tiers interdite sans aucune forme que ce soit sans autorisation écrite du propriétaire. Propriété de c.FCI. Droits de reproduction FCI.



All rights strictly reserved. Reproduction or communication to other parties without written authority from the proprietor. Property of FCI. Copyright FCI.



		www.fciconnect.com		✓	tolerance	projection	MM
Dr	MAGGIE WU	04/20/05	Product family			size A4	Scale 1.000
Eng	R Y LIU	04/20/05	Spec ref				
Chr	PAUL WANG	04/20/05	Material			ECN	DG06-0249
Appd	JOSEPH HSIA	04/20/05					
title			PCI Express ExpressModule CARD		drug no	10055293	
			EDGE 98P PRESS FIT ASS'Y			Rev. F	
catalog no			PDM: Rev:F		STATUS: Released		CUSTOMER Printed: Mar 16, 2011

A
B
C
D