



**Distributor of On-Shore Technology, Inc.: Excellent Integrated System Limited**

Datasheet of OSTYK44402030 - Connector Barrier Block Strip 2 Circuit 0.374" (9.50mm)

Contact us: [sales@integrated-circuit.com](mailto:sales@integrated-circuit.com) Website: [www.integrated-circuit.com](http://www.integrated-circuit.com)

---

## **Excellent Integrated System Limited**

Stocking Distributor

Click to view price, real time Inventory, Delivery & Lifecycle Information:

[On-Shore Technology, Inc.](#)

[OSTYK44402030](#)

For any questions, you can email us directly:

[sales@integrated-circuit.com](mailto:sales@integrated-circuit.com)

SIGN	DATE	DESCRIPTION	APPROVER

THIS IS CAD DRAWING, DO NOT REVISE MANUALLY!!!

**SPECIFICATIONS**

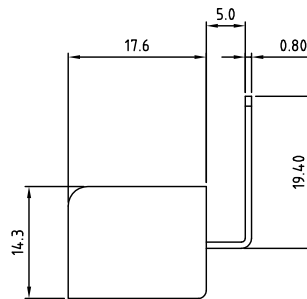
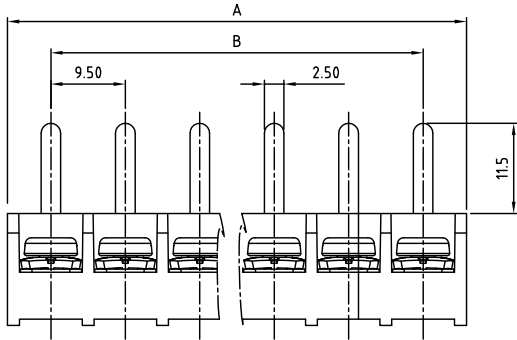
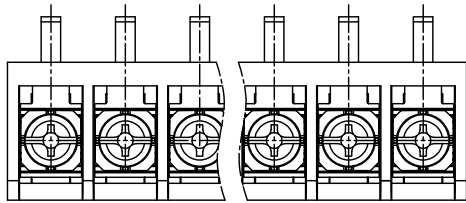
VOLTAGE & CURRENT: 300 V, 30 A  
 WITHSTANDING VOLTAGE: AC 2000 V/Min  
 INSULATION RESISTANCE: 1000 MΩ OR MORE AT DC 500 V  
 TEMPERATURE RANGE: -40 °C ~ +105 °C  
 SCREW TORQUE VALUE: 10.54 Lb-in.  
 WIRE RANGE: 22 - 10 (str/sol) AWG  
 1) MOLDED PARTS: THERMOPLASTIC, UL 94 V-0 BLACK  
 2) TERMINAL: BRASS, 0.8t, Tin PLATED  
 3) TERMINAL SCREWS: STEEL, Ni PLATED, M3.5  
 ● Safety Approval: US  
 RoHS Compliant

PART NUMBER:

OSTYK444XX030

NO. OF POLES  
 02: 2 POLES  
 03: 3 POLES  
 04: 4 POLES  
 ...  
 30: 30 POLES

THESE DRAWINGS AND SPECIFICATIONS ARE THE PROPERTY OF ON-SHORE TECHNOLOGY, INC. AND SHALL NOT BE REPRODUCED, COPIED OR USED IN ANY MANNER WITHOUT THE PRIOR WRITTEN CONSENT OF ON-SHORE TECHNOLOGY, INC.



POLE	2	3	4	5	6	7	8	9	10	11	12	13	14	15	16
A	20.50	30.00	39.50	49.00	58.50	68.00	77.50	87.00	96.50	106.00	115.50	125.00	134.50	144.00	153.50
B	9.50	19.00	28.50	38.00	47.50	57.00	66.50	76.00	85.50	95.00	104.50	114.00	123.50	133.00	142.50
TOL	±0.30			±0.40			±0.50								
POLE	17	18	19	20	21	22	23	24	25	26	27	28	29	30	
A	163.00	172.50	182.00	191.50	201.00	210.50	220.00	229.50	239.00	248.50	258.00	267.50	277.00	286.50	
B	152.00	161.50	171.00	180.50	190.00	199.50	209.00	218.50	228.00	237.50	247.00	256.50	266.00	275.50	
TOL	±0.60														

		TITLE		OSTYK-444 Series									
		PART NO.		OSTYK444XX030									
APPROVED		CHECKED		DESIGNED		DRAWN		CUST NO.		DWG NO.		OSTYK444XX030.DWG	
Shi Jun 2007.07.18		Seamus 2007.07.18		LUCY 2007.7.18		LUCY 2007.7.18				Tolerance X: ±0.50 X.X ±0.30 X.XX ±0.10 X* ±1*		UNIT: mm SCALE: NONE REV: B	
SHEET: 01/01													