

Excellent Integrated System Limited

Stocking Distributor

Click to view price, real time Inventory, Delivery & Lifecycle Information:

[Harwin Inc.](#)
[M80-6900298](#)

For any questions, you can email us directly:
sales@integrated-circuit.com

Customer Information Sheet

DRAWING No.: M80-690XX98 SHEET 2 OF 2 IF IN DOUBT - ASK (C) NOT TO SCALE THIRD ANGLE PROJECTION ALL DIMENSIONS IN mm

SPECIFICATION

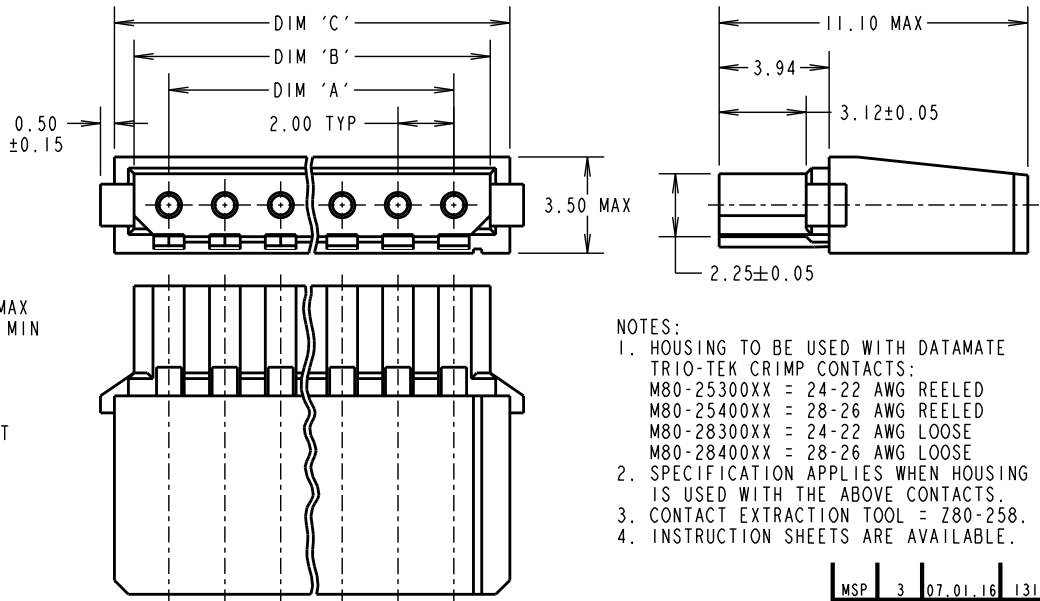
MATERIAL
HOUSING = GLASS-FILLED POLYAMIDE 46, UL94V-0, BLACK

ELECTRICAL
CURRENT RATING AT 25°C = 3.0A MAX
CURRENT RATING AT 85°C = 2.2A MAX
WORKING VOLTAGE = 800V AC/DC
VOLTAGE PROOF = 1200V AC/DC
CONTACT RESISTANCE = 25 mΩ MAX
INSULATION RESISTANCE = 100 MΩ MIN

MECHANICAL
DURABILITY = 400 OPERATIONS
INSERTION FORCE (∅0.5mm GAUGE) = 2.8N MAX
WITHDRAWAL FORCE (∅0.5mm GAUGE) = 0.2N MIN

ENVIRONMENTAL
TEMPERATURE RANGE = -55°C TO +125°C

PACKING
BAG
FOR COMPLETE SPECIFICATION, SEE COMPONENT SPECIFICATION C040XX (LATEST ISSUE)



- NOTES:**
- HOUSING TO BE USED WITH DATAMATE TRIO-TEK CRIMP CONTACTS:
M80-25300XX = 24-22 AWG REELED
M80-25400XX = 28-26 AWG REELED
M80-28300XX = 24-22 AWG LOOSE
M80-28400XX = 28-26 AWG LOOSE
 - SPECIFICATION APPLIES WHEN HOUSING IS USED WITH THE ABOVE CONTACTS.
 - CONTACT EXTRACTION TOOL = 780-258.
 - INSTRUCTION SHEETS ARE AVAILABLE.

DIMENSION	CALCULATION
DIM 'A'	2 x TOTAL No. OF CONTACT POSITIONS - 2.0
DIM 'B'	2 x TOTAL No. OF CONTACT POSITIONS + 0.6
DIM 'C'	2 x TOTAL No. OF CONTACT POSITIONS + 2.0
EXAMPLE: CONNECTOR WITH 07 CONTACT POSITIONS, M80-6900798	
DIM 'A' = 12.0mm, DIM 'B' = 14.6mm, DIM 'C' = 16.0mm	

ORDER CODE:
M80-690XX98

TOTAL No. OF CONTACT POSITIONS _____
02, 03, 04, 05, 06, 07, 17

MSP	3	07.01.16	13139
NAME	ISS.	DATE	C/NOTE
APPROVED: M.PERREN			
CHECKED: M.PLESTED			
DRAWN: S.FLOWER			
CUSTOMER REF.:			
ASSEMBLY DRG:			



www.harwin.com
technical@harwin.com

THIS DRAWING AND ANY INFORMATION OR DESCRIPTIVE MATTER SET OUT HEREON ARE CONFIDENTIAL AND COPYRIGHT PROPERTY OF THE HARWIN GROUP AND MUST NOT BE DISCLOSED, LOANED, COPIED OR USED FOR MANUFACTURING, TENDERING OR FOR ANY OTHER PURPOSE WITHOUT THEIR WRITTEN PERMISSION.

TOLERANCES
X. = ±1mm
X.X = ±0.50mm
X.XX = ±0.10mm
X.XXX = ±0.01mm
ANGLES = ±5°
UNLESS STATED

MATERIAL:
SEE ABOVE

FINISH:

S/AREA: mm²

TITLE: DATAMATE TRIO-TEK SIL L-TEK FEMALE CRIMP HOUSING 2-WAY TO 17-WAY

DRAWING NUMBER: M80-690XX98

SHT 2 OF 2