

Excellent Integrated System Limited

Stocking Distributor

Click to view price, real time Inventory, Delivery & Lifecycle Information:

[Vishay/Siliconix](#)
[SIP41103DM-T1-E3](#)

For any questions, you can email us directly:

sales@integrated-circuit.com



Synchronous Rectification N-Channel MOSFET Driver for DC/DC Conversion

DESCRIPTION

SiP41103 is a high-speed synchronous rectification MOSFET driver with adaptive shoot-through protection for use in high frequency, high-current, multiphase DC-DC synchronous rectifier buck converter. It is designed to operate at the switching frequencies up to 1 MHz. The high-side driver is bootstrapped to allow driving N-Channel MOSFET. Adaptive shoot-through protection prevents simultaneous conduction of external MOSFETs. Adding a capacitor to the delay pin can further increase the high-side driver turn-on delay by 1.2 ns/pF for further shoot-through protection.

The SiP41103 is available in both standard and lead (Pb)-free 10-Pin MLP33 packages and is specified to operate over the industrial temperature range of -40 °C to 85 °C.

FEATURES

- 5 V Gate Drive
- Undervoltage Lockout
- Internal Bootstrap Diode
- Adaptive Shoot-Through Protection
- Synchronous MOSFET Disable
- Adjustable Highside Propagation Delay
- Switching Frequency Up to 1 MHz
- Drive MOSFETs In 4.5 to 50 V Systems

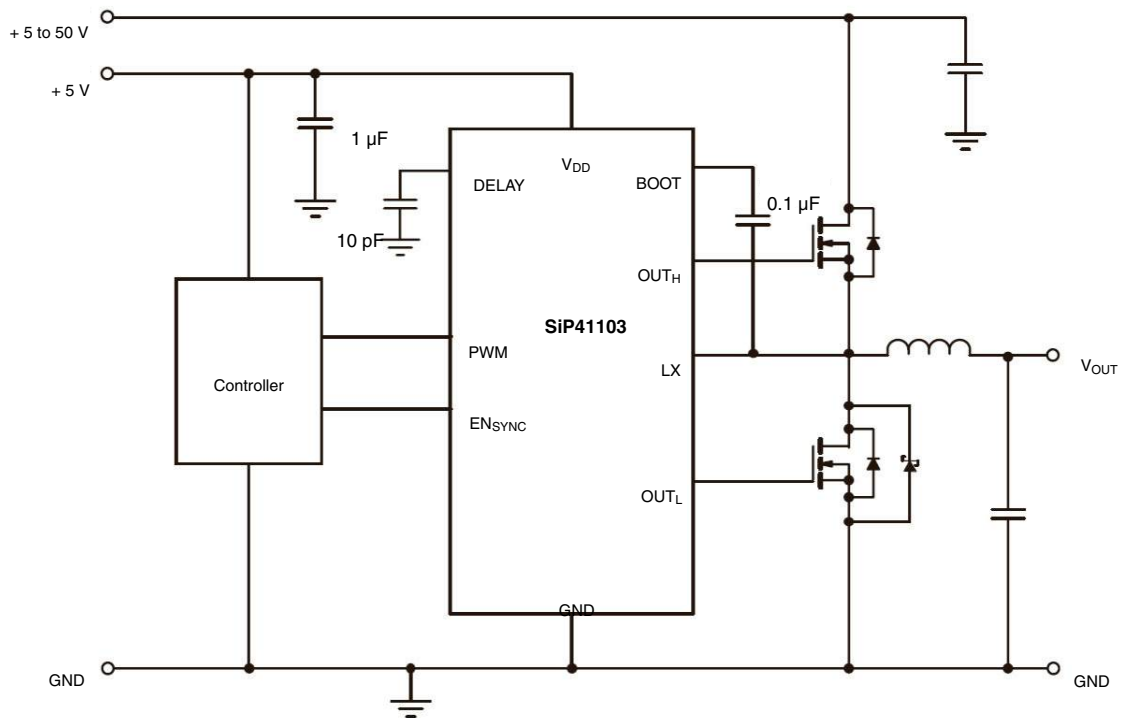


RoHS*
COMPLIANT

APPLICATIONS

- Multi-Phase DC/DC Conversion
- High Current Synchronous Buck Converters
- High Frequency Synchronous Buck Converters
- Asynchronous-to-Synchronous Adaptations
- Mobile Computer DC/DC Converters
- Desktop Computer DC/DC Converters

TYPICAL APPLICATION CIRCUIT



*Pb containing terminations are not RoHS compliant, exemptions may apply

SiP41103

Vishay Siliconix



ABSOLUTE MAXIMUM RATINGS (All voltages referenced to GND = 0 V)			
Parameter		Limit	Unit
V _{DD} , PWM, EN _{SYNC} , DELAY		7	V
LX, BOOT		55	
BOOT to LX		7	
Storage Temperature		- 40 to 150	°C
Operating Junction Temperature		125	
Power Dissipation ^{a,b}	MLP-33	960	mW
Thermal Impedance(θ _{JA}) ^{a,b}		105	°C/W

Notes:

a. Device mounted with all leads soldered or welded to PC board

b. Derate 9.6 mW/°C

Stresses beyond those listed under "Absolute Maximum Ratings" may cause permanent damage to the device. These are stress ratings only, and functional operation of the device at these or any other conditions beyond those indicated in the operational sections of the specifications is not implied. Exposure to absolute maximum rating/conditions for extended periods may affect device reliability.

RECOMMENDED OPERATING RANGE (All voltages referenced to GND = 0 V)			
Parameter		Limit	Unit
V _{DD}		4.5 to 5.5	V
V _{BOOT}		4.5 to 50	
C _{BOOT}		100 nF to 1 μF	
Operating Temperature Range		- 40 to 85	°C

SPECIFICATIONS^a						
Parameter	Symbol	Test Conditions Unless Specified V _{DD} = 5 V, V _{BOOT} - V _{LX} = 5 V, C _{LOAD} = 3 nF T _A = - 40 to 85 °C	Limits			Unit
			Min ^a	Typ ^b	Max ^a	
Power Supplies						
Supply Voltage	V _{DD}		4.5		5.5	V
Quiescent Current	I _{DDQ}	f _{PWM} = 1 MHz, C _{LOAD} = 0		2.3	3.0	mA
Shutdown Current	I _{SD1}	PWM = 0 V			1	μA
	I _{SD2}	PWM = 5 V		30	60	
Reference Voltage						
Break-Before-Make	V _{BBM}	LX Falling		1		V
PWM Input						
Input High	V _{IH}		4.0		V _{DD}	V
Input Low	V _{IL}				0.5	
Bias Current	I _B			± 0.3	± 1	μA
EN_{SYNC} Inputs						
Input High	V _{IH}		2.0		V _{DD}	V
Input Low	V _{IL}				1.0	
Bias Current	I _B				± 1	μA
High-Side Undervoltage Lockout						
Threshold	V _{UVHS}	Rising or Falling	2.5	3.35	3.75	V
Bootstrap Diode						
Forward Voltage	V _F	I _F = 10 mA, T _A = 25 °C	0.7	0.76	0.82	V



SPECIFICATIONS^a						
Parameter	Symbol	Test Conditions Unless Specified $V_{DD} = 5\text{ V}$, $V_{BOOT} - V_{LX} = 5\text{ V}$, $C_{LOAD} = 3\text{ nF}$ $T_A = -40\text{ to }85\text{ }^\circ\text{C}$	Limits			Unit
			Min ^a	Typ ^b	Max ^a	
MOSFET Drivers						
High-Side Drive Current ^c	$I_{PKH(source)}$			0.9		A
	$I_{PKH(sink)}$			1.1		
Low-Side Drive Current ^c	$I_{PKL(source)}$			0.8		
	$I_{PKL(sink)}$			1.5		
High-Side Driver Impedance	$R_{DH(source)}$			2.5	3.8	Ω
	$R_{DH(sink)}$			2.2	3.3	
Low-Side Driver Impedance	$R_{DL(source)}$			3.4	5.1	
	$R_{DL(sink)}$			1.4	2.1	
High-Side Rise Time	t_{rH}	10 % - 90 %		32	40	ns
High-Side Fall Time	t_{fH}	90 % - 10 %		36	45	
High-Side Propagation Delay ^c	$t_{d(off)H}$	See Timing Waveforms		20		
	$t_{d(on)H}$	See Timing Waveforms		30		
Low-Side Rise Time	t_{rL}	10 % - 90 %		45	55	
Low-Side Fall Time	t_{fL}	90 % - 10 %		20	30	
Low-Side Propagation Delay ^c	$t_{d(off)L}$	See Timing Waveforms		30		
	$t_{d(on)L}$	See Timing Waveforms		30		
LX Timer						
LX Falling Timeout ^c	t_{LX}			420		ns
V_{DD} Undervoltage Lockout						
Threshold Rising	V_{UVLOR}			4.3	4.5	V
Threshold Falling	V_{UVLOF}		3.7	4.1		
Hysteresis				0.4		
Power on Reset Time ^c				2.5		ms
Thermal Shutdown						
Temperature	T_{SD}	Temperature Rising		165		$^\circ\text{C}$
Hysteresis	T_H	Temperature Falling		25		

Notes:

a. The algebraic convention whereby the most negative value is a minimum and the most positive a maximum (- 40° to 85 °C).

 b. Typical values are for DESIGN AID ONLY, not guaranteed nor subject to production testing and are measured at $V_{CC} = 5\text{ V}$ unless otherwise noted.

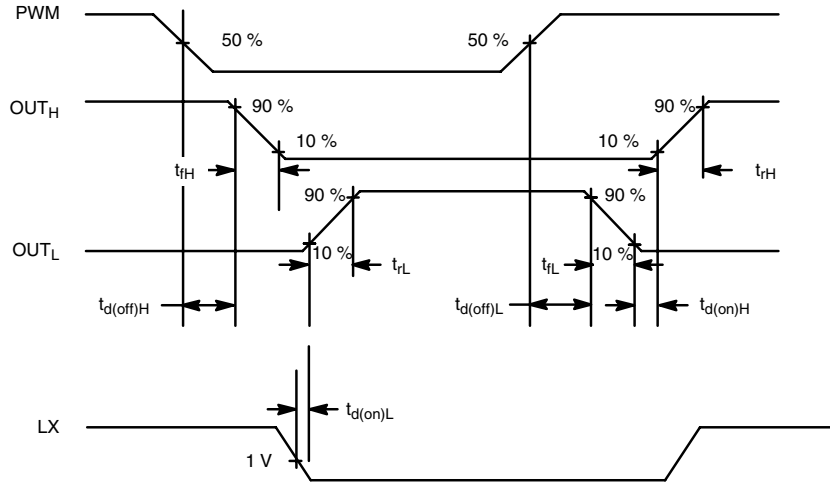
c. Guaranteed by design.

SiP41103

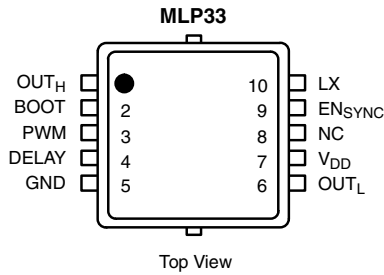
Vishay Siliconix



TIMING WAVEFORMS



PIN CONFIGURATION AND TRUTH TABLE



TRUTH TABLE ^a			
PWM	EN _{SYNC}	OUT _H	OUT _L
L	L	L	L
L	H	L	H
H	X	H	L

Note:
a. After the device is enabled.

ORDERING INFORMATION			
Standard Part Number	Lead (Pb)-Free Part Number	Temperature Range	Marking
SiP41103DM-T1	SiP41103DM-T1-E3	- 40 to 85 °C	41A3

Eval Kit	Temperature Range
SiP41103DB	- 40 to 85 °C

PIN DESCRIPTION		
Pin Number	Name	Function
1	OUT _H	High-side MOSFET gate drive
2	BOOT	Bootstrap supply for high-side driver. A capacitor connects between BOOT and LX
3	PWM	Input signal for the MOSFET drivers
4	DELAY	Connection for the highside dealy adjustment capacitors
5	GND	Ground
6	OUT _L	Synchronous or low-side MOSFET gate drive
7	V _{DD}	+ 5 V supply
8	NC	No Connect
9	EN _{SYNC}	Enables OUT _L , the driver for the synchronous MOSFET
10	LX	Connection for source of high-side MOSFET, drain of the low-side MOSFET and the inductor



FUNCTIONAL BLOCK DIAGRAM

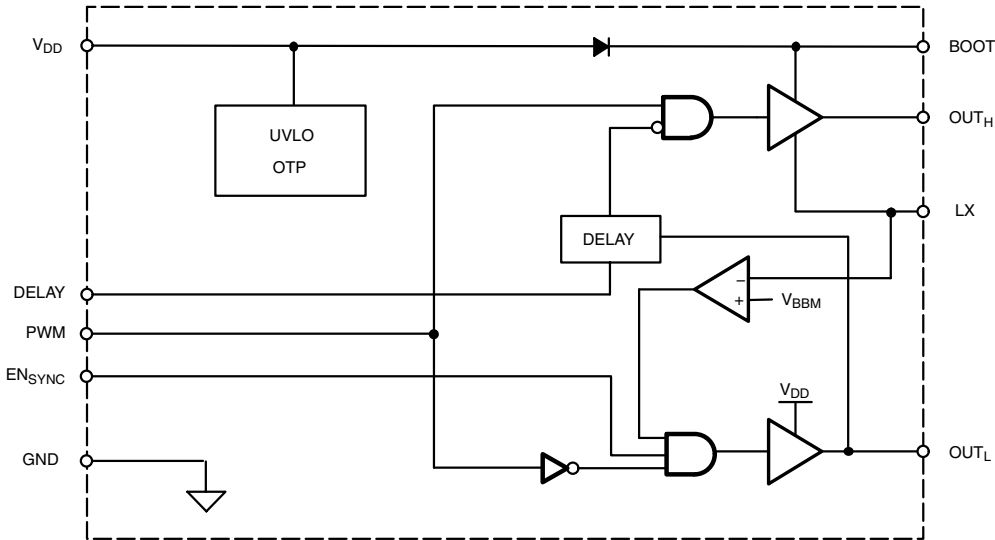


Figure 1.

DETAILED OPERATION

PWM

The PWM pin controls the switching of the external MOSFETs. The driver logic operates in a noninverting configuration. The PWM input stage should be driven by a signal with fast transition times, like those provided by a PWM controller or logic gate, (< 200 ns). The PWM input functions as a logic input and is not intended for applications where a slow changing input voltage is used to generate a switching output when the input switching threshold voltage is reached.

Enable

The device is enabled by edge sensing of transitions on PWM, high or low. A minimum PWM frequency of 2 kHz is required to keep the device enabled. When continuous PWM transitions are present, and after power-on reset time has elapsed, OUT_H and OUT_L will become active.

Low-Side Driver

The supplies for the low-side driver are V_{DD} and GND. During shutdown, OUT_L is held low.

High-Side Driver

The high-side driver is isolated from the substrate to create a floating high-side driver so that an N-Channel MOSFET can be used for the high-side switch. The supplies for the high-side driver are BOOT and LX. The voltage is supplied by a floating bootstrap capaci-

tor, which is continually recharged by the switching action of the output. During shutdown OUT_H is held low.

Bootstrap Circuit

The internal bootstrap diode and a bootstrap capacitor form a charge pump that supplies voltage to the BOOT pin. An integrated bootstrap diode replaces the external Schottky diode and bootstrap only a capacitor is necessary to complete the circuit. The bootstrap capacitor is sized according to.

$$C_{BOOT} = (Q_{GATE} / \Delta V_{BOOT-LX}) \times 10$$

where Q_{GATE} is the gate charge needed to turn on the high-side MOSFET and ΔV_{BOOT-LX} is the amount of droop allowed in the bootstrap supply voltage when the high-side MOSFET is driven high. The bootstrap capacitor value is typically 0.1 μF to 1 μF. The bootstrap capacitor voltage rating must be greater than V_{DD} + 5 V to withstand transient spikes and ringing.

Shoot-Through Protection

The external MOSFETs are prevented from conducting at the same time during transitions. Break-before-make circuits monitor the voltages on the LX pin and the OUT_L pin and control the switching as follows: When the signal on PWM goes low, OUT_H will go low after an internal propagation delay. After the voltage

SiP41103

Vishay Siliconix



on LX falls below 1 V by the inductor action, the low-side driver is enabled and OUT_L goes high after some delay. When the signal on PWM goes high, OUT_L will go low after an internal propagation delay. After the voltage on OUT_L drops below 1 V the high-side driver is enabled OUT_H will go high after an internal propagation delay. If LX does not drop below 1 V within 400 ns after OUT_H goes low, OUT_L is forced high until the next PWM transition.

Delay

The addition of a capacitor between DELAY and GND will increase the propagation delay time for OUT_H going high. Delay capacitance may be added to prevent shoot-through current in the low-side MOSFET due to the finite time between OUT_L going low and the continuing conduction of the low-side MOSFET. Choose a MOSFET with lower gate resistance to reduce this effect. If necessary, choose a capacitor value that prevents MOSFET conduction under worst-case temperature and manufacturing conditions. Propagation delay is increased according to the ratio of 1.2 ns/pF.

Synchronous MOSFET Enable

Under light load conditions, efficiency can be increased by disabling the synchronous MOSFET, thus avoiding the gate charge losses of the synchronous MOSFET. When EN_{SYNC} is low, OUT_L is forced

low. When high, the low-side driver operates normally. EN_{SYNC} should be driven by a 5-V signal.

Shutdown

The driver enters shutdown mode when a period of inactivity on PWM elapses. Shutdown current is less than 1 μ A.

V_{DD} Bypass Capacitor

MOSFET drivers draw large peak currents from the supplies when they switch. A local bypass capacitor is required to supply this current and reduce power supply noise. Connect a 1 μ F ceramic capacitor as close as practical between the V_{DD} and GND pins.

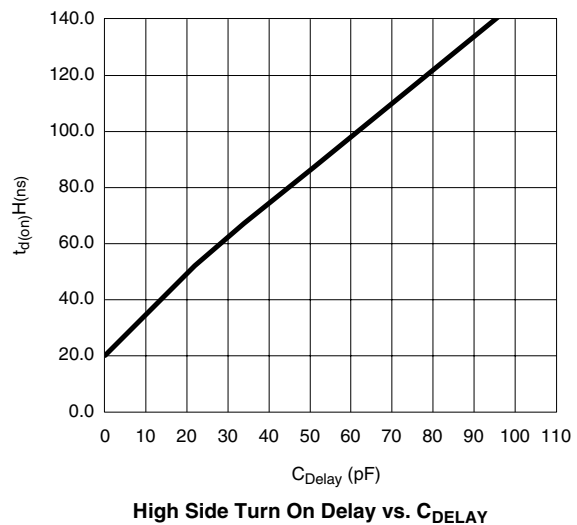
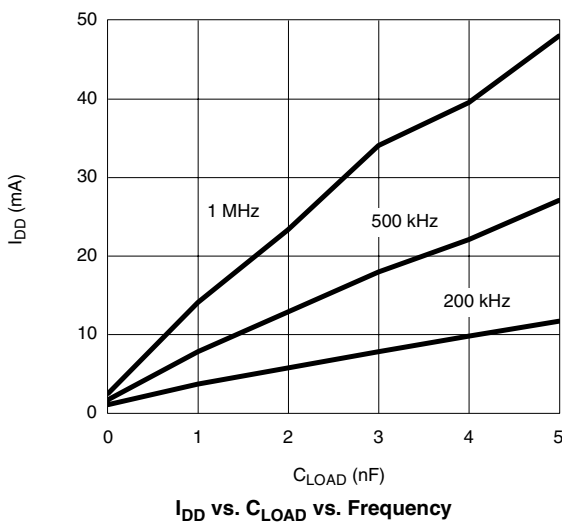
Undervoltage Lockout

Undervoltage lockout prevents control of the circuit until the supply voltages reach valid operating levels. The UVLO circuit forces OUT_L and OUT_H to low when V_{DD} is below its specified voltage. A separate UVLO forces OUT_H low when the voltage between BOOT and LX is below the specified voltage.

Thermal Protection

If the temperature rises above 165 $^{\circ}$ C, the thermal protection disables the drivers. The drivers are re-enabled after the temperature has decreased below 140 $^{\circ}$ C.

TYPICAL CHARACTERISTICS





TYPICAL WAVEFORMS

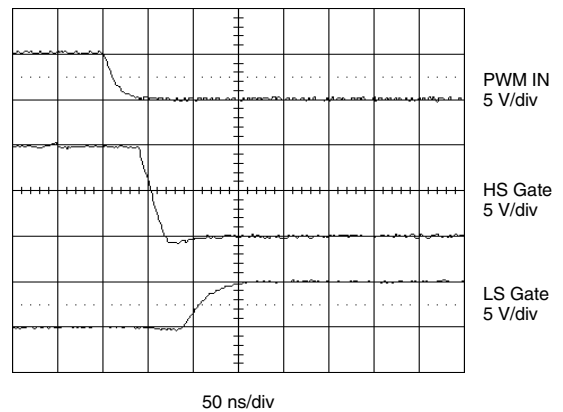
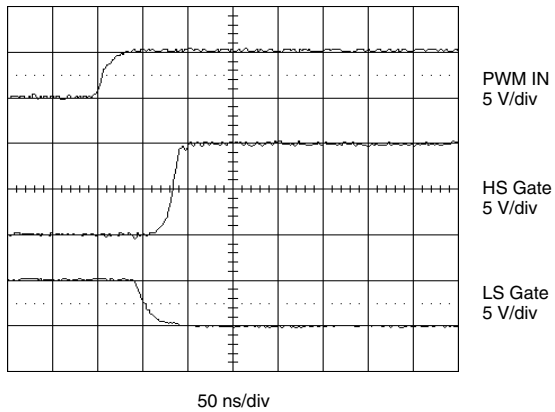
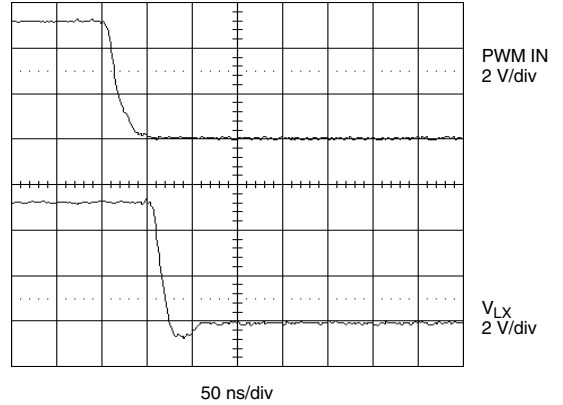
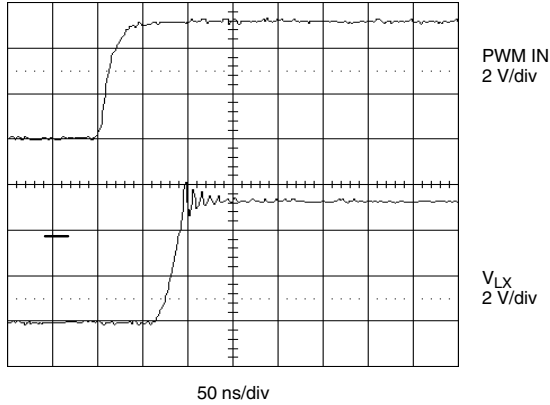


Figure 4. PWM Signal vs. HS Gate and LS Gate (Rising)

Figure 5. PWM Signal vs. HS Gate and LS Gate (Falling)

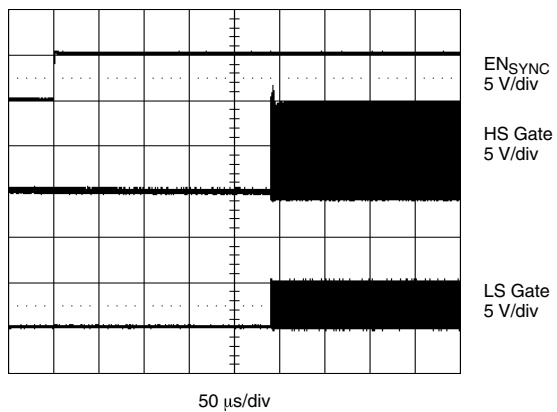


Figure 6. EN_{SYNC} Delay

Vishay Siliconix maintains worldwide manufacturing capability. Products may be manufactured at one of several qualified locations. Reliability data for Silicon Technology and Package Reliability represent a composite of all qualified locations. For related documents such as package/tape drawings, part marking, and reliability data, see <http://www.vishay.com/ppg?72718>



Legal Disclaimer Notice

Vishay

Disclaimer

All product specifications and data are subject to change without notice.

Vishay Intertechnology, Inc., its affiliates, agents, and employees, and all persons acting on its or their behalf (collectively, "Vishay"), disclaim any and all liability for any errors, inaccuracies or incompleteness contained herein or in any other disclosure relating to any product.

Vishay disclaims any and all liability arising out of the use or application of any product described herein or of any information provided herein to the maximum extent permitted by law. The product specifications do not expand or otherwise modify Vishay's terms and conditions of purchase, including but not limited to the warranty expressed therein, which apply to these products.

No license, express or implied, by estoppel or otherwise, to any intellectual property rights is granted by this document or by any conduct of Vishay.

The products shown herein are not designed for use in medical, life-saving, or life-sustaining applications unless otherwise expressly indicated. Customers using or selling Vishay products not expressly indicated for use in such applications do so entirely at their own risk and agree to fully indemnify Vishay for any damages arising or resulting from such use or sale. Please contact authorized Vishay personnel to obtain written terms and conditions regarding products designed for such applications.

Product names and markings noted herein may be trademarks of their respective owners.