

## Excellent Integrated System Limited

Stocking Distributor

Click to view price, real time Inventory, Delivery & Lifecycle Information:

[Tensility International Corporation](#)  
[10-00436](#)

For any questions, you can email us directly:

[sales@integrated-circuit.com](mailto:sales@integrated-circuit.com)

part number: 10-00436  
 description: Cable, 1830 mm, 6P DIN male 50-00173, to stripped tinned, 20 AWG, UL2464 30-00026, shielded

date: March 9, 2011  
 rev: A  
 page: 1 of 2

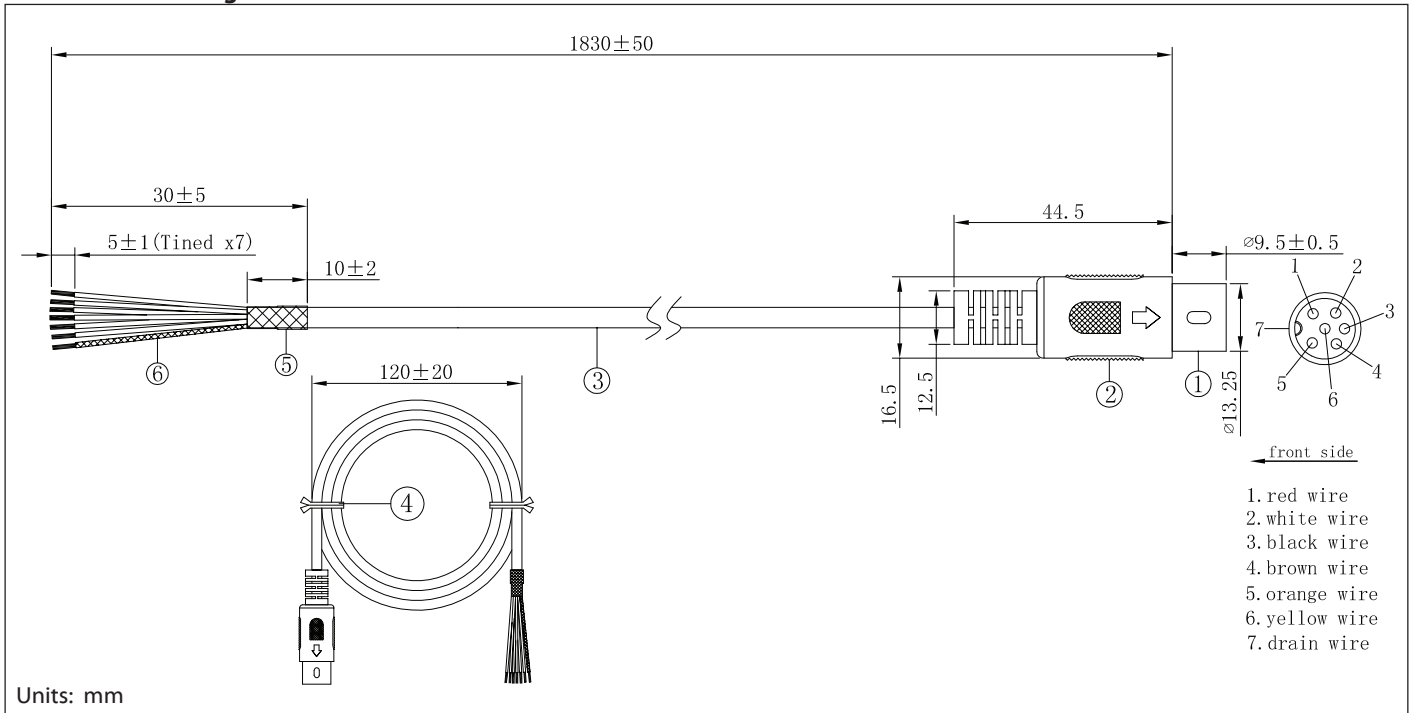
**Specifications:**

connector description (1)	6P standard DIN male, molding style, brass, nickel plating, 240°, P/N 50-00173
overmold (2)	inner: PE; outer: 60P, PVC, black
wire description (3)	6C, 20 AWG, UL2464, 300 V, 80 C, 7.0 mm, shielded, VW-1, PVC, 60P, P/N 30-00026
cable outer diameter	Ø7.0 mm
cable color	black
cable length	1830 ± 50 mm
twist tie (4)	black
shrink tube (5)	Ø7.0, 105°C, 10 ± 2 mm, black
shrink tube (6)	Ø1.0, 105°C, 30 ± 5 mm, black
current rating	2 A @ 12 Vdc

**Notes:**

Function test: no open, no reversed polarity, no short circuit, no INT  
 RoHS compliant

**Mechanical drawing:**



**tolerance X: ±0.5 mm .X: ±0.3 mm .XX: ±0.05 mm**  
 applicable unless otherwise indicated in specification or on drawings  
 Tensility International Corporation reserves the right to substitute parts which are functionally equivalent to the ones specified.

<b>Initial</b>	<b>Date</b>
----------------	-------------

part number: 10-00436  
 description: Cable, 1830 mm, 6P DIN male 50-00173, to stripped tinned, 20 AWG, UL2464 30-00026, shielded

date: March 9, 2011  
 rev: A  
 page: 2 of 2

**Revision notes:**

Rev	Date	Description
A	March 9, 2011	initial release

**Specification Approval**

Spec sign-off verifies that you have reviewed the entire specification, tested a sample of the product, and confirm that it meets your requirements. This specification reflects the part as it will be ordered. Orders will not be processed until the specification pages have been initialed and the approval page has been signed. This specification is confidential and is not to be transmitted without prior approval from Tensility.

Signature \_\_\_\_\_ Title \_\_\_\_\_  
 Name \_\_\_\_\_ Date \_\_\_\_\_  
 Company \_\_\_\_\_ Branch \_\_\_\_\_