



Excellent Integrated System Limited

Stocking Distributor

Click to view price, real time Inventory, Delivery & Lifecycle Information:

[Tensility International Corporation](#)
[10-00547](#)

For any questions, you can email us directly:

sales@integrated-circuit.com

part number: 10-00547
description: Cable, 1830 mm, 4P 90° mini-DIN female
50-00164, to stripped tinned, 26 AWG,
UL2464 30-00061, shield

date: March 10, 2011
rev: A
page: 1 of 2

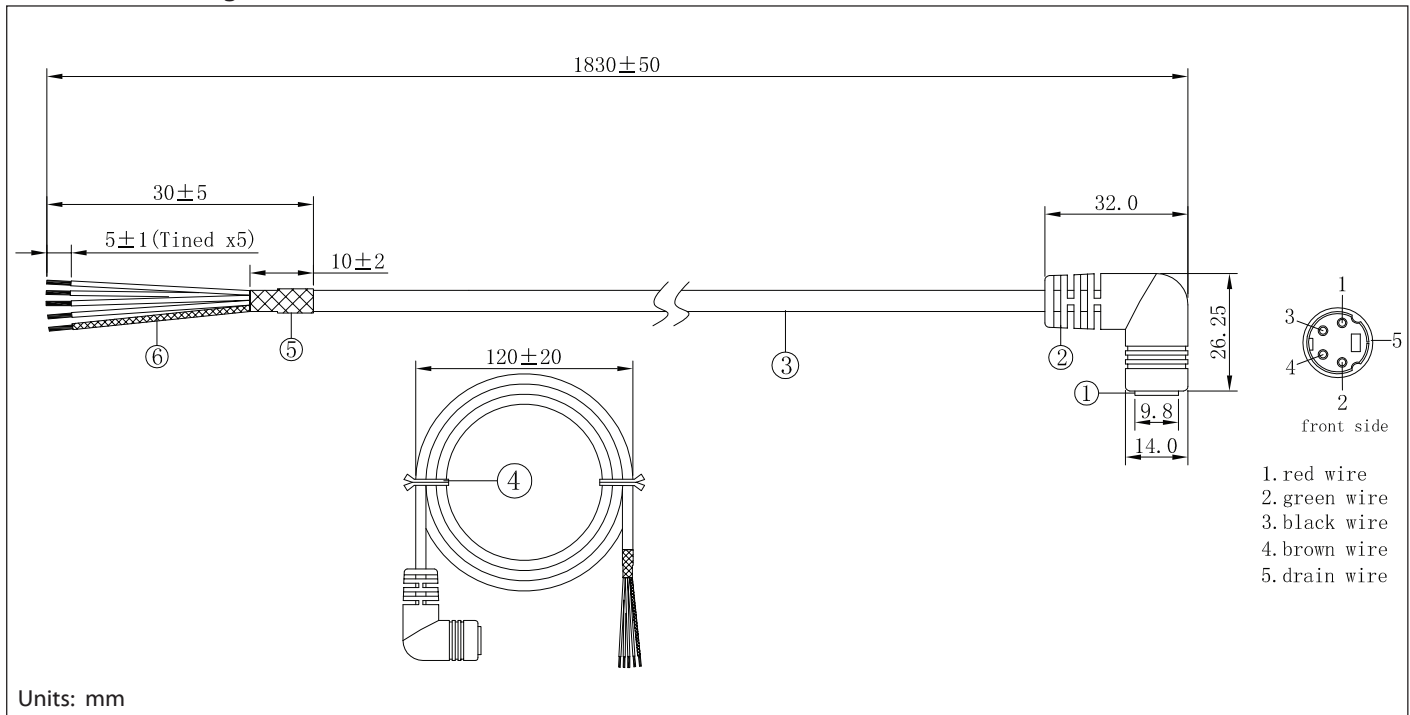
Specifications:

| | |
|---------------------------|--|
| connector description (1) | 4P mini DIN female, molding style, brass, nickel plating, P/N 50-00164 |
| overmold (2) | inner: PE; outer: 60P, PVC, black |
| wire description (3) | 4C, 26 AWG, UL2464, 300V, 80C, 4.70 mm, shielded, VW-1, PVC, 60P, P/N 30-00061 |
| cable outer diameter | Ø4.7 mm |
| cable color | black |
| cable length | 1830 ± 50 mm |
| twist tie (4) | black |
| shrink tube (5) | Ø5.0, 105°C, 10 ± 2 mm, black |
| shrink tube (6) | Ø1.0, 105°C, 30 ± 5 mm, black |
| current rating | 300 mA @ 12 Vdc |

Notes:

Function test: no open, no reversed polarity, no short circuit, no INT
RoHS compliant

Mechanical drawing:



tolerance X: ±0.5 mm .X: ±0.3 mm .XX: ±0.05 mm
applicable unless otherwise indicated in specification or on drawings
Tensility International Corporation reserves the right to substitute parts which are functionally equivalent to the ones specified.

| | |
|----------------|-------------|
| Initial | Date |
|----------------|-------------|

part number: 10-00547
 description: Cable, 1830 mm, 4P 90° mini-DIN female
 50-00164, to stripped tinned, 26 AWG,
 UL2464 30-00061, shield

date: March 10, 2011
 rev: A
 page: 2 of 2

Revision notes:

| Rev | Date | Description |
|-----|----------------|-----------------|
| A | March 10, 2011 | initial release |
| | | |
| | | |
| | | |

Specification Approval

Spec sign-off verifies that you have reviewed the entire specification, tested a sample of the product, and confirm that it meets your requirements. This specification reflects the part as it will be ordered. Orders will not be processed until the specification pages have been initialed and the approval page has been signed. This specification is confidential and is not to be transmitted without prior approval from Tensility.

Signature _____ Title _____
 Name _____ Date _____
 Company _____ Branch _____