

## Excellent Integrated System Limited

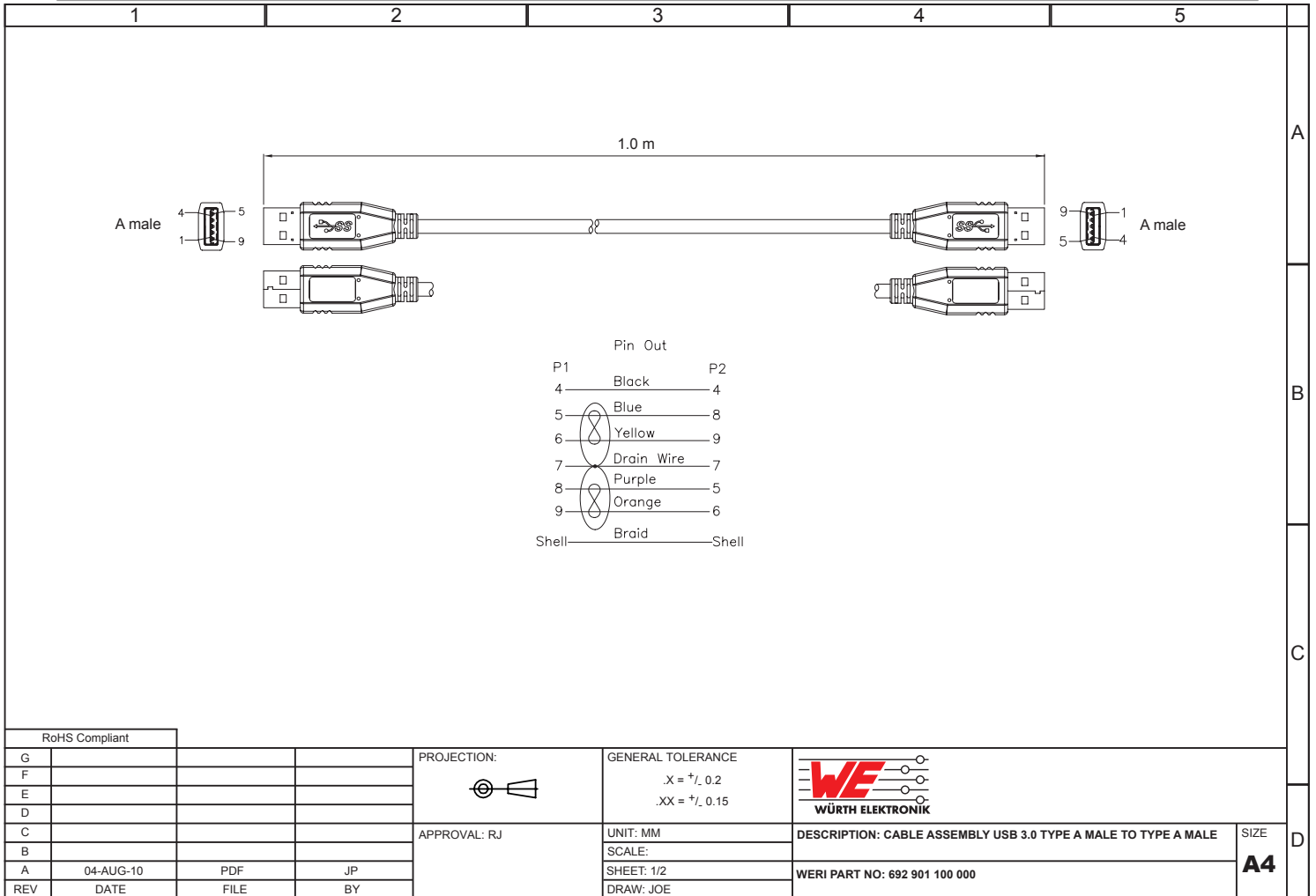
Stocking Distributor

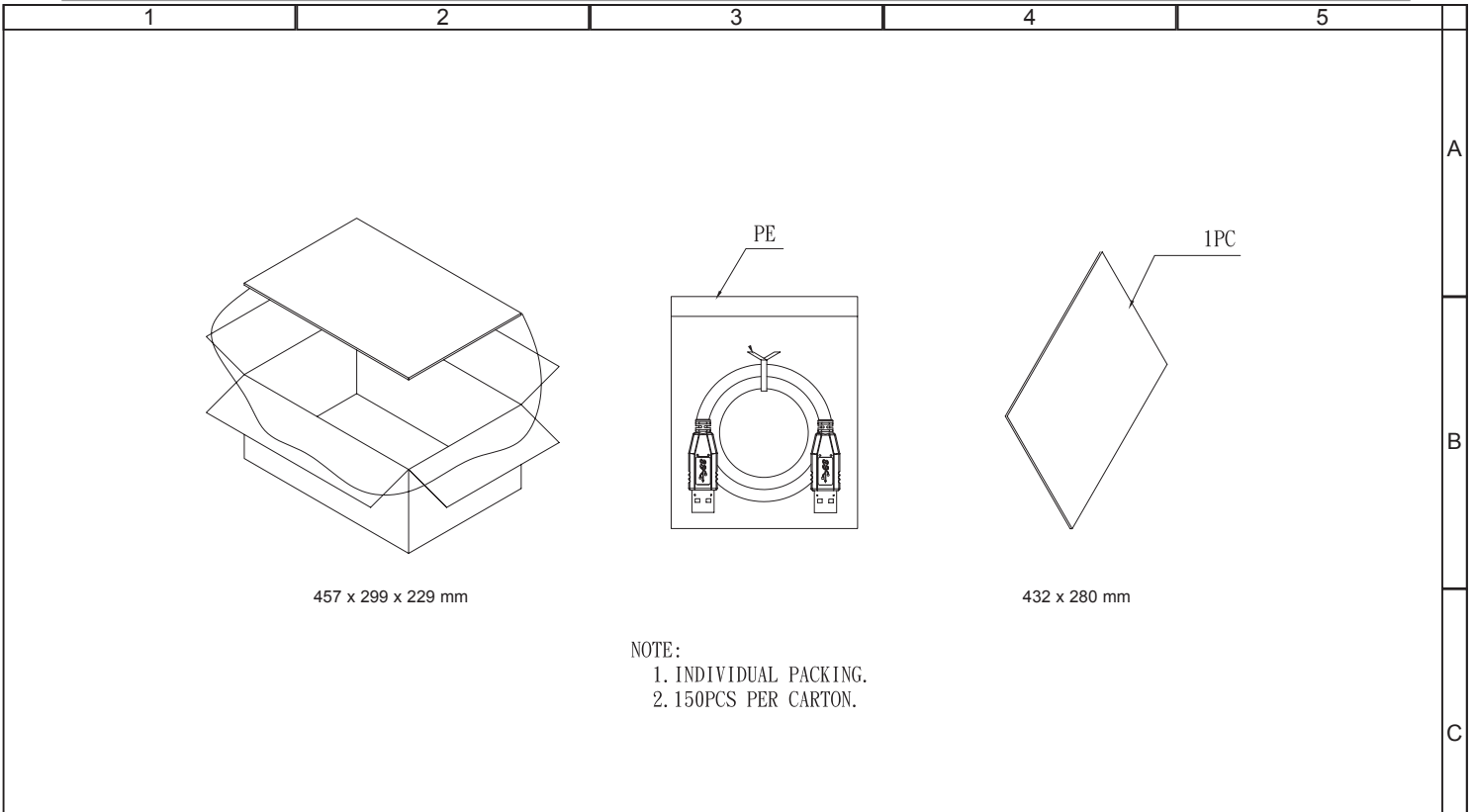
Click to view price, real time Inventory, Delivery & Lifecycle Information:

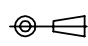

[Wurth Electronics Inc](#)  
[692901100000](#)

For any questions, you can email us directly:

[sales@integrated-circuit.com](mailto:sales@integrated-circuit.com)





RoHS Compliant				PROJECTION: 	GENERAL TOLERANCE .X = $\pm 0.2$ .XX = $\pm 0.15$		DESCRIPTION: CABLE ASSEMBLY USB 3.0 TYPE A MALE TO TYPE A MALE	SIZE <b>A4</b>
G								
F								
E								
D								
C				APPROVAL: RJ	UNIT: MM	WERI PART NO: 692 901 100 000	SIZE <b>A4</b>	
B					SCALE:			
A					SHEET: 2/2			
REV	DATE	FILE	BY		DRAW: JOE			