

Excellent Integrated System Limited

Stocking Distributor

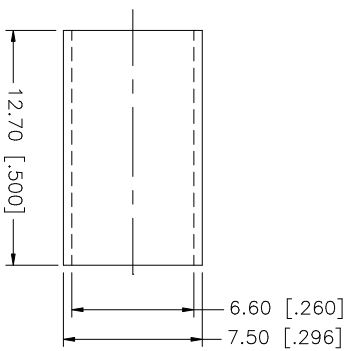
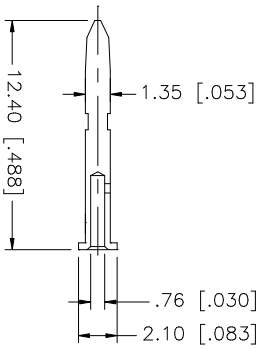
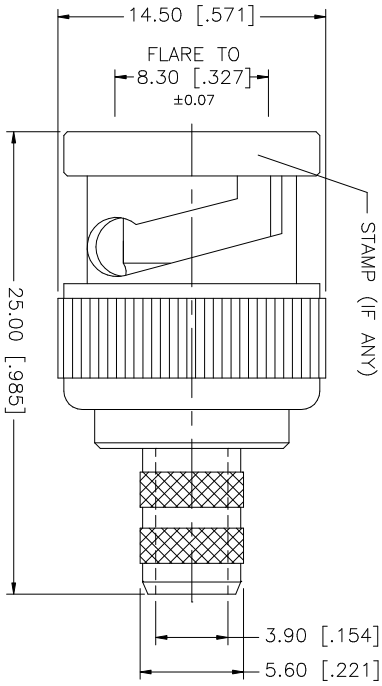
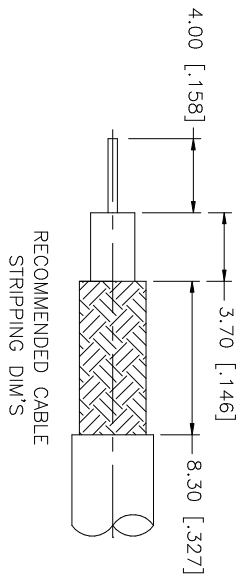
Click to view price, real time Inventory, Delivery & Lifecycle Information:

[Amphenol RF](#)
[112952](#)

For any questions, you can email us directly:

sales@integrated-circuit.com

REV.	DATE	DESCRIPTION
A	11/21/03	UPDATE DRAWING FORMAT



CRIMP NOTES:

1. CRIMPED FERRULE
HEX CRIMP SIZE .255"
2. CRIMPED CONTACT PIN
HEX CRIMP SIZE .043"

QTY	DESCRIPTION	MATERIAL	FINISH	DO NOT SCALE DRAWING	APPROVALS	DATE	PART DESCRIPTION	DWG. NO.	REV.	SIZE	SCALE
1	INSULATOR BODY	BRASS	NICKEL	1.180 - 4.724 = ± 0.020"			Amphenol Connex BNC CRIMP PLUG (FOR BELDEN 8241, RG-59/U)	112952.DWG	A	A	NA
1	CONTACT PIN	BRASS	GOLD	.020 - .315 = ± 0.007" .315 - 1.180 = ± 0.015" 1.180 - 4.724 = ± 0.020"							
1	INSULATOR	TEFLON	NATURAL	UNLESS OTHERWISE SPECIFIED DIMENSIONS FOR INCHES ARE: TOLERANCES FOR MILLIMETERS ARE: 0.5 - 8mm ± 0.20mm 8 - 30mm ± 0.40mm 30 - 120mm ± 0.50mm							
1	FERRULE	COPPER	NICKEL	UNLESS OTHERWISE SPECIFIED DIMENSIONS FOR INCHES ARE: TOLERANCES FOR MILLIMETERS ARE: 0.5 - 8mm ± 0.20mm 8 - 30mm ± 0.40mm 30 - 120mm ± 0.50mm							
1	CONTACT PIN	BRASS	GOLD	.020 - .315 = ± 0.007" .315 - 1.180 = ± 0.015" 1.180 - 4.724 = ± 0.020"							
1	INSULATOR	TEFLON	NATURAL	UNLESS OTHERWISE SPECIFIED DIMENSIONS FOR INCHES ARE: TOLERANCES FOR MILLIMETERS ARE: 0.5 - 8mm ± 0.20mm 8 - 30mm ± 0.40mm 30 - 120mm ± 0.50mm							
1	FERRULE	COPPER	NICKEL	UNLESS OTHERWISE SPECIFIED DIMENSIONS FOR INCHES ARE: TOLERANCES FOR MILLIMETERS ARE: 0.5 - 8mm ± 0.20mm 8 - 30mm ± 0.40mm 30 - 120mm ± 0.50mm							
1	CONTACT PIN	BRASS	GOLD	.020 - .315 = ± 0.007" .315 - 1.180 = ± 0.015" 1.180 - 4.724 = ± 0.020"							
1	INSULATOR BODY	BRASS	NICKEL	1.180 - 4.724 = ± 0.020"							
	DESCRIPTION	MATERIAL	FINISH	DO NOT SCALE DRAWING							