

Excellent Integrated System Limited

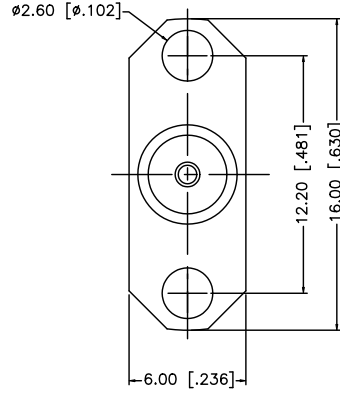
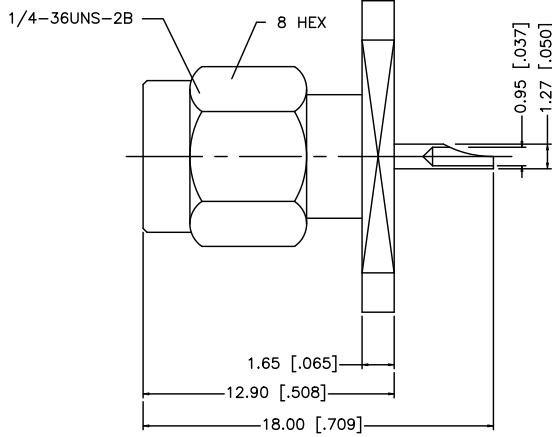
Stocking Distributor

Click to view price, real time Inventory, Delivery & Lifecycle Information:

[Amphenol RF](#)
[132141](#)

For any questions, you can email us directly:
sales@integrated-circuit.com

REV.	DATE	ECR NO.	DESCRIPTION
NC	09/07/08	-	INITIAL RELEASE



				<small>UNLESS OTHERWISE SPECIFIED DIMENSIONS ARE IN MILLIMETERS. DIMENSIONS IN [] ARE IN INCHES AND FOR CUSTOMER REFERENCE ONLY.</small> <small>UNLESS OTHERWISE SPECIFIED TOLERANCES FOR MILLIMETERS ARE:</small> 0.5 - 8mm ± 0.20mm 8 - 30mm ± 0.40mm 30 - 120mm ± 0.50mm <small>UNLESS OTHERWISE SPECIFIED TOLERANCES FOR INCHES ARE:</small> .020 - .315 = ± 0.007" .315 - 1.180 = ± 0.015" 1.180 - 4.724 = ± 0.020" DO NOT SCALE DRAWING		APPROVALS DRAWN GRS CHECKED ISSUED SHEET 1 OF 1		DATE 09/07/08		<h1 style="color: blue;">Amphenol Connex</h1>			
								PART DESCRIPTION <h2 style="text-align: center;">SMA PANEL REPEATABLE SOLDER POT CONTACT</h2>					
								PART NO. <h2 style="text-align: center;">132141</h2>					
								DWG. NO. 132141.DWG		REV. NC SIZE A SCALE NA			

DESCRIPTION	MATERIAL	FINISH	QTY
CONTACT PIN	BER. COPPER	GOLD	1
INSULATOR	PTFE	NATURAL	1
BODY	BRASS	GOLD	1