

Excellent Integrated System Limited

Stocking Distributor

Click to view price, real time Inventory, Delivery & Lifecycle Information:

[Comair Rotron](#)
[19031481A](#)

For any questions, you can email us directly:

sales@integrated-circuit.com

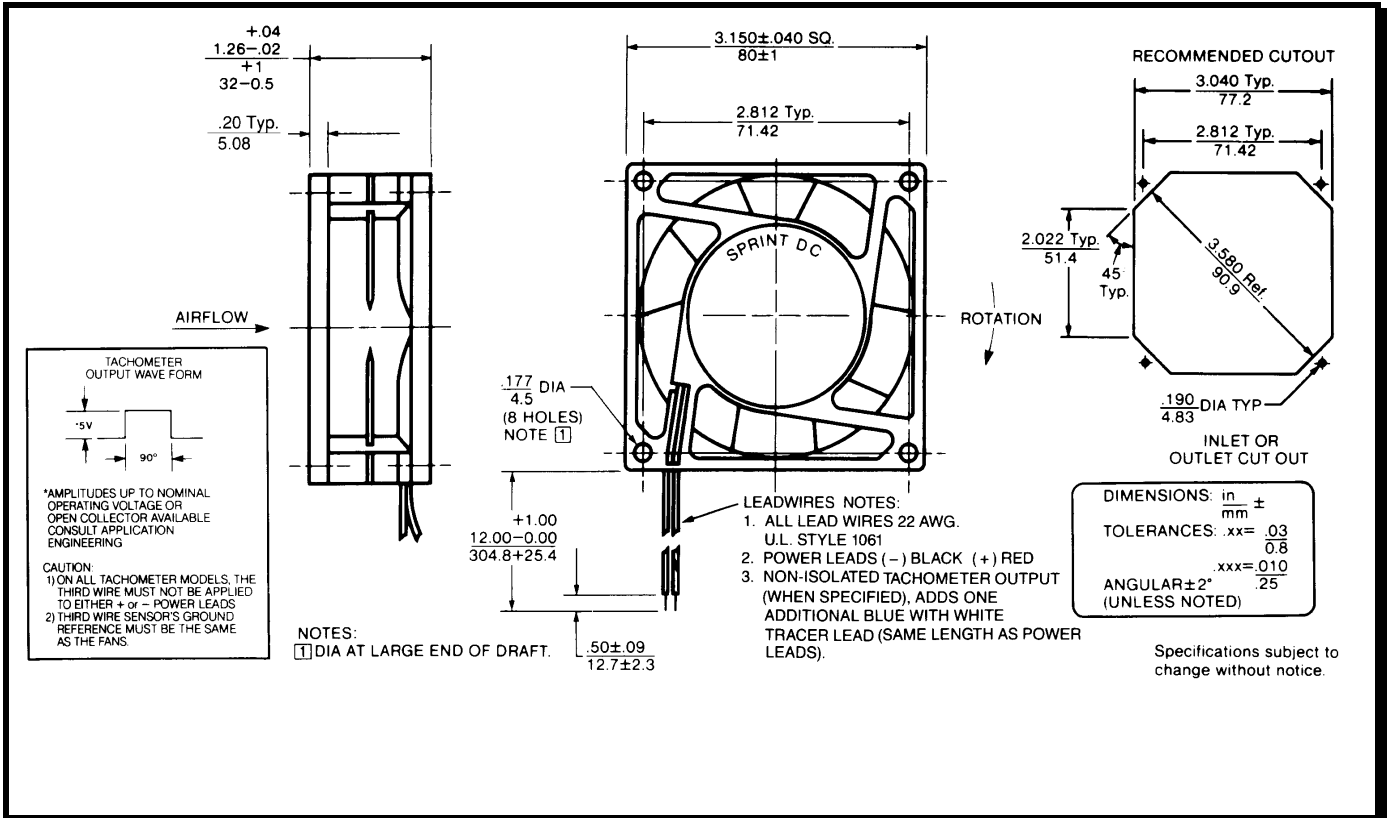
SPECIFICATIONS



Model Number ST48K0X
Part Number: 19031481A

Feb.1.2013

Mechanical Drawing:



Motor:

Nominal Voltage = 48 VDC
 Operating Voltage Range = 24 - 56 VDC
 Nominal Running Current = 0.110 Amps
 Max. Locked Rotor Current = .350 Amps
 Running Power = 5.3 Watts
 Average Speed = 4250 RPM
 Bearings = Ball
 Air Flow = 40 CFM
 Noise: = 44.2 dBA

Construction:

Venturi: Plastic, Black, UL94V-0.
 Propeller: Polypropylene, Black, UL94V-0

Life Expectancy:

This fan is designed for continuous duty life of 60,000 hours at 40°C

Motor:

- Brushless DC
 - Electronic Locked Rotor Protected
 - Automatic Restart Capability
 - Polarity Protected

Tachometer

- Non-Isolated
 - TTL (5V)
 - 2 Pulses Per Revolution

Harness

5" Leadwires, AMP Contact 770601-1
 Red - power (+)
 Black - return
 Blue / white - tach

Agency Approvals:

UL, CE