

Excellent Integrated System Limited

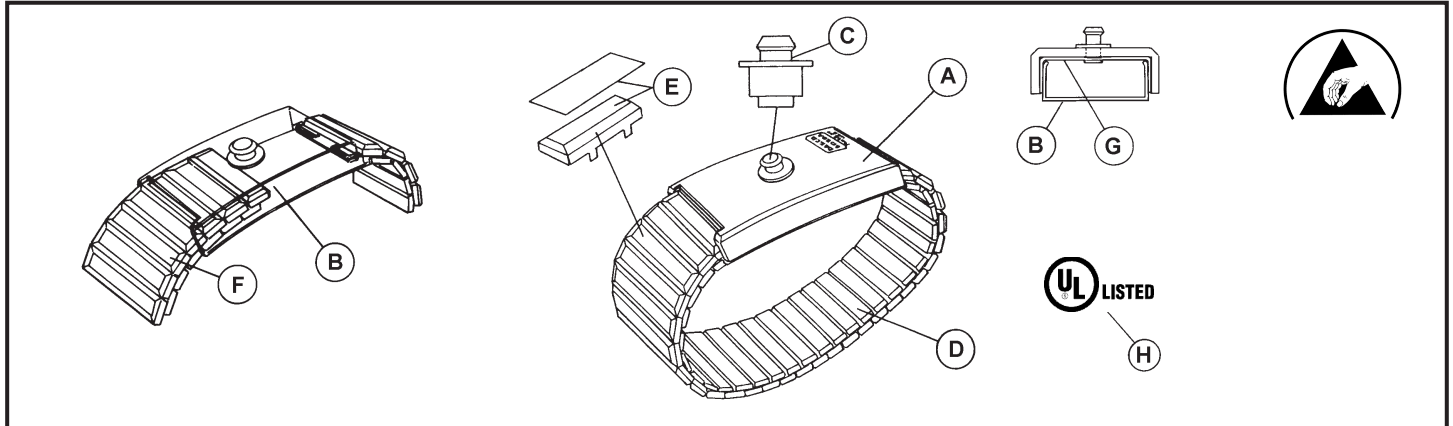
Stocking Distributor

Click to view price, real time Inventory, Delivery & Lifecycle Information:

[Desco](#)
[09085](#)

For any questions, you can email us directly:

sales@integrated-circuit.com



Item	Description	Circumference		Width
		Minimum	Maximum	
09200	Wristband only, Red, White and Blue	5.75 in.	13 in.	0.630"
09041	Wristband only, Black	5.75 in.	13 in.	0.630"
09220	Wristband only, White	5.75 in.	13 in.	0.630"
09230	Wristband only, White	5.75 in.	13 in.	0.630"
09042	Wristband only, X-large, Black	6.25 in.	14.5 in.	0.630"
09085	Wrist Strap, Black, 6' coil cord	5.75 in.	13 in.	0.630"
91070	Wrist Strap, Black, 6' cord & angle banana	5.75 in.	13 in.	0.630"
09221	Wrist Strap, White, 6' coil cord	5.75 in.	13 in.	0.630"
09231	Wrist Strap, White, 6' coil cord	5.75 in.	13 in.	0.630"
09222	Wrist Strap, White, 10' coil cord	5.75 in.	13 in.	0.630"
09232	Wrist Strap, White, 10' coil cord	5.75 in.	13 in.	0.630"

- A. ABS cap with slotted opening to allow size adjustment.
- B. 300 Series Stainless Steel Backplate forms channel to hold up to 10 links of band allowing size adjustment.
- C. 4mm snap stud machined from 300 series stainless steel. Fits to 4mm spring loaded medical type socket. Coil cord disengages from snap with 1-5 lbs. of perpendicular force.
- D. Inside links constructed of 300 Series Stainless Steel. Width of links is 0.630".
- E. .002" polyphenylsulfone sheet is laminated to each link. Provides >5,000 volt RMS insulation per ASTM D149. Scratch resistant.
- F. Size is adjusted by sliding 1 to 10 links of the band into the backplate "C" channel.
- G. 300 Series Stainless Steel clip for electrical contact between snap stud and backplate.
- H. Underwriters Laboratory listing 90P1C.

*Cleaned and Packaged in a Class 1000 Controlled Environment. Click [HERE](#) for details.
 Meets ANSI/ESD S1.1 wristband resistance interior < 100 kilohms (<1 x 10⁵ ohms)
 Meets ANSI/ESD S1.1 wristband resistance exterior >10 megohms (>1 x 10⁷ ohms)
 Meets ANSI/ESD S20.20 and Wrist Strap standard ANSI/ESD S.1

Unless otherwise noted, tolerance ± 10%
 Specifications and procedures subject to change without notice.



Premium Metal Expansion Wristband

DESCO WEST: 3651 WALNUT AVE., CHINO, CA 91710 WEB SITE: Desco.com
 PHONE (909) 627-8178 FAX (909) 627-7449
 DESCO EAST: ONE COLGATE WAY, CANTON, MA 02021-1407
 PHONE (781) 821-8370 FAX (781) 575-0172

DRAWING NUMBER
09041

DATE:
January
2016

