

## Excellent Integrated System Limited

Stocking Distributor

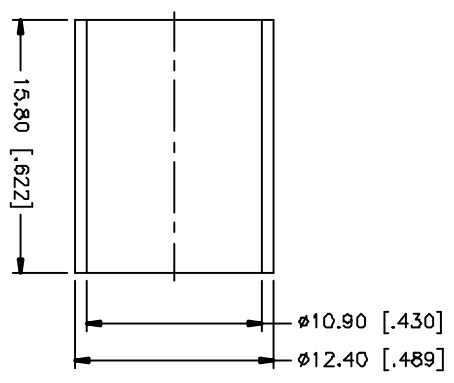
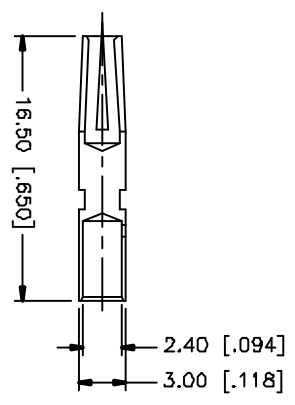
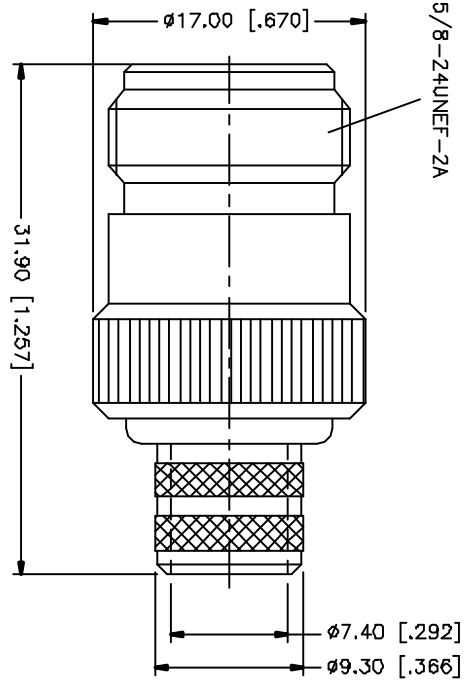
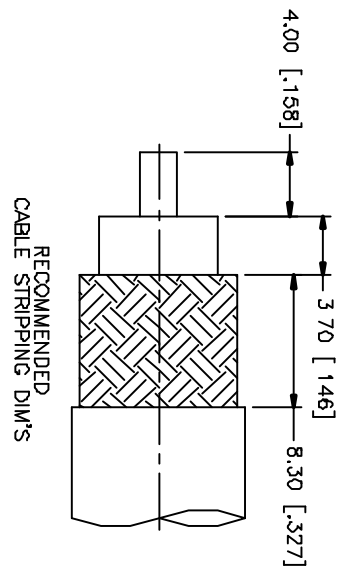
Click to view price, real time Inventory, Delivery & Lifecycle Information:

[Amphenol RF](#)  
[172105](#)

For any questions, you can email us directly:

[sales@integrated-circuit.com](mailto:sales@integrated-circuit.com)

REV	DATE	DESCRIPTION
A	09/07/04	UPDATE DRAWING FORMAT / MODIFY CONTACT PIN



NOTE:  
 1. CRIMPED FERRULE  
 HEX CRIMP SIZE .429"  
 2. CRIMPED CONTACT PIN  
 HEX CRIMP SIZE .100"

QTY	DESCRIPTION	MATERIAL	FINISH	QTY	DD NOT SCALE DRAWING
1	BODY	BRASS	NICKEL	1	1.180 - 4.724 = ± 0.020"
1	INSULATOR	TEFLON	NATURAL	1	3.15 - 1.180 = ± 0.015"
1	CONTACT PIN	PHOS. BRONZE	GOLD	1	0.20 - .315 = ± 0.007"
1	FERRULE	BRASS	NICKEL	1	30 - 120mm ± 0.50mm
1	INSULATOR	TEFLON	NATURAL	1	8 - 30mm ± 0.20mm
1	FERRULE	BRASS	NICKEL	1	0.6 - 8mm ± 0.20mm
1	CONTACT PIN	PHOS. BRONZE	GOLD	1	UNLESS OTHERWISE SPECIFIED DIMENSIONS FOR MILLIMETERS ARE IN MILLIMETERS DIMENSIONS IN [ ] ARE IN INCHES AND FOR CUSTOMER REFERENCE ONLY
1	BODY	BRASS	NICKEL	1	UNLESS OTHERWISE SPECIFIED DIMENSIONS FOR INCHES ARE IN INCHES AND FOR CUSTOMER REFERENCE ONLY
1	CONTACT PIN	PHOS. BRONZE	GOLD	1	UNLESS OTHERWISE SPECIFIED DIMENSIONS FOR MILLIMETERS ARE IN MILLIMETERS DIMENSIONS IN [ ] ARE IN INCHES AND FOR CUSTOMER REFERENCE ONLY
1	FERRULE	BRASS	NICKEL	1	UNLESS OTHERWISE SPECIFIED DIMENSIONS FOR MILLIMETERS ARE IN MILLIMETERS DIMENSIONS IN [ ] ARE IN INCHES AND FOR CUSTOMER REFERENCE ONLY
1	INSULATOR	TEFLON	NATURAL	1	UNLESS OTHERWISE SPECIFIED DIMENSIONS FOR MILLIMETERS ARE IN MILLIMETERS DIMENSIONS IN [ ] ARE IN INCHES AND FOR CUSTOMER REFERENCE ONLY
1	BODY	BRASS	NICKEL	1	UNLESS OTHERWISE SPECIFIED DIMENSIONS FOR MILLIMETERS ARE IN MILLIMETERS DIMENSIONS IN [ ] ARE IN INCHES AND FOR CUSTOMER REFERENCE ONLY
1	CONTACT PIN	PHOS. BRONZE	GOLD	1	UNLESS OTHERWISE SPECIFIED DIMENSIONS FOR MILLIMETERS ARE IN MILLIMETERS DIMENSIONS IN [ ] ARE IN INCHES AND FOR CUSTOMER REFERENCE ONLY
1	FERRULE	BRASS	NICKEL	1	UNLESS OTHERWISE SPECIFIED DIMENSIONS FOR MILLIMETERS ARE IN MILLIMETERS DIMENSIONS IN [ ] ARE IN INCHES AND FOR CUSTOMER REFERENCE ONLY
1	INSULATOR	TEFLON	NATURAL	1	UNLESS OTHERWISE SPECIFIED DIMENSIONS FOR MILLIMETERS ARE IN MILLIMETERS DIMENSIONS IN [ ] ARE IN INCHES AND FOR CUSTOMER REFERENCE ONLY
1	BODY	BRASS	NICKEL	1	UNLESS OTHERWISE SPECIFIED DIMENSIONS FOR MILLIMETERS ARE IN MILLIMETERS DIMENSIONS IN [ ] ARE IN INCHES AND FOR CUSTOMER REFERENCE ONLY
1	DESCRIPTION	MATERIAL	FINISH	QTY	DD NOT SCALE DRAWING

**Amphenol Connex**

N STRAIGHT CRIMP JACK  
 (FOR RG-8/U CABLE)

172105

APPROVALS	DATE
DRAWN G.R.S.	09/07/04
CHECKED	
ISSUED	
SHEET 1 OF 1	

PART NO.	DWG. NO.	REV	SIZE	SCALE
172105	172105.DWG	A	A	NA