

Excellent Integrated System Limited

Stocking Distributor

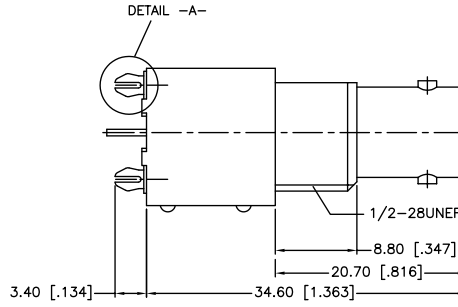
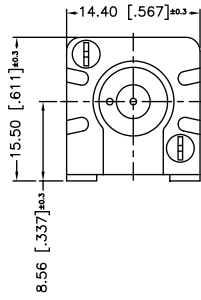
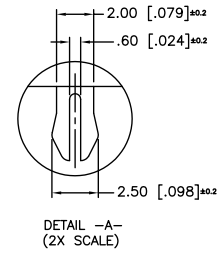
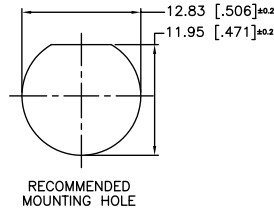
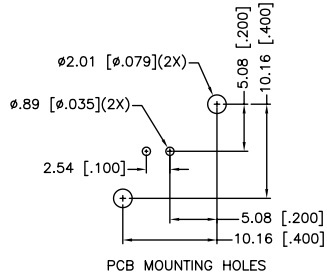
Click to view price, real time Inventory, Delivery & Lifecycle Information:

[Amphenol RF](#)
[112409](#)

For any questions, you can email us directly:

sales@integrated-circuit.com

REV.	DATE	ECR NO	DESCRIPTION
A	02/24/04	--	UPDATE DRAWING FORMAT/MODIFY MOUNT POSTS
B	02/01/10	2012	HARDWARES REMOVED



NOTE:
1. MAX. PANEL THICKNESS = 5mm

DESCRIPTION	MATERIAL	FINISH	QTY	DO NOT SCALE DRAWING	APPROVALS	DATE	Amphenol Connex
5	MOUNTING POST	BRASS	NICKEL	1	DRAWN	CLEMENT	02/01/10
4	CONTACT PIN	PHOS. BRONZE	GOLD	1	CHECKED		PART DESCRIPTION
3	INSULATOR	P.P.	NATURAL	1	ISSUED		BNC STRAIGHT PC MOUNT RECEPT. JACK
2	BODY	ZINC DIECAST	NICKEL	1	SHEET	1 OF 1	PART NO.
1	HOUSING	P.P.	WHITE	1			112409
					CAD FILE	C:/112/112409.DWG	DWG. NO.
							112409.DWG
							REV. B
							SIZE A
							SCALE NA

UNLESS OTHERWISE SPECIFIED DIMENSIONS ARE IN MILLIMETERS. DIMENSIONS IN [] ARE IN INCHES AND FOR CUSTOMER REFERENCE ONLY.

UNLESS OTHERWISE SPECIFIED TOLERANCES FOR MILLIMETERS ARE:
0.5 - 8mm ± 0.20mm
8 - 30mm ± 0.40mm
30 - 120mm ± 0.50mm

UNLESS OTHERWISE SPECIFIED TOLERANCES FOR INCHES ARE:
.020 - .315 = ± 0.007"
.315 - 1.180 = ± 0.015"
1.180 - 4.724 = ± 0.020"