

## **Excellent Integrated System Limited**

Stocking Distributor

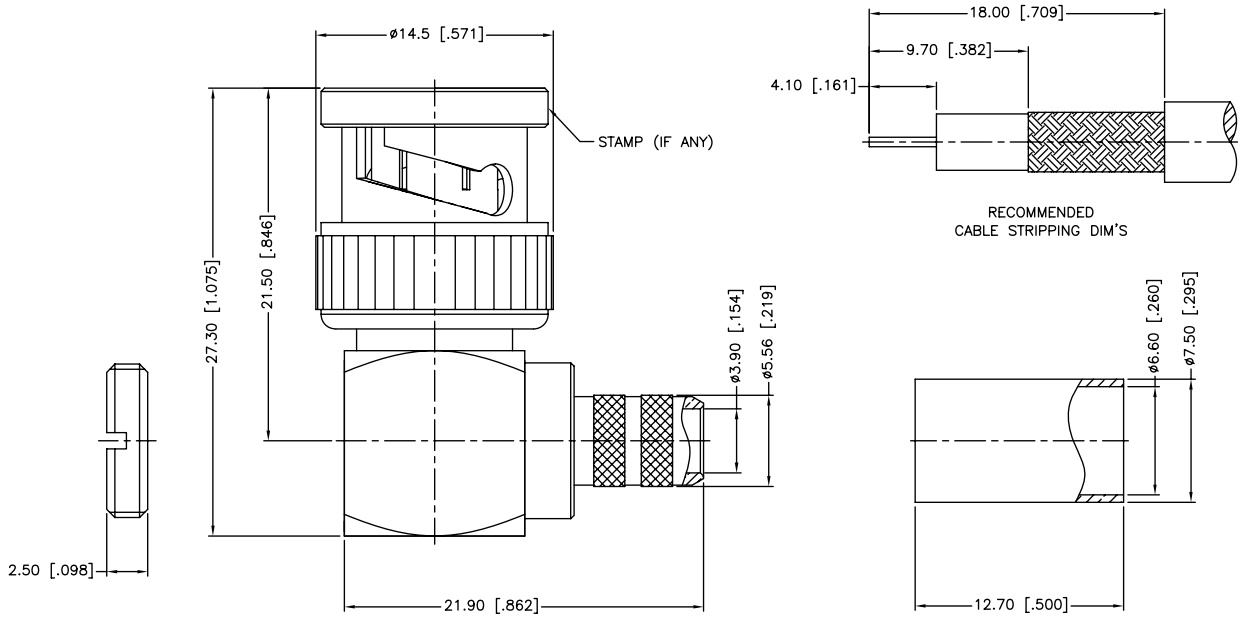
Click to view price, real time Inventory, Delivery & Lifecycle Information:

[Amphenol RF](#)  
[112165](#)

For any questions, you can email us directly:

[sales@integrated-circuit.com](mailto:sales@integrated-circuit.com)

REV.	DATE	ECR NO.	DESCRIPTION
NC	03/22/10	-	INITIAL RELEASE



NOTE:  
 1. CRIMPED FERRULE  
 HEX CRIMP SIZE .255"

NO.	DESCRIPTION	MATERIAL	FINISH	QTY
11	NUT	BRASS	NICKEL	1
10	FERRULE	BRASS	NICKEL	1
9	WASHER	BRASS	NICKEL	1
8	SPRING	SK5	NICKEL	1
7	RETAINER RING	BRASS	NICKEL	1
6	GASKET	RUBBER	RED	1
5	CONTACT PIN	BRASS	GOLD	1
4	INSULATOR	DELIRIN	NATURAL	1
3	BARREL	BRASS	NICKEL	1
2	HOUSING	BRASS	NICKEL	1
1	SHELL	BRASS	NICKEL	1

UNLESS OTHERWISE SPECIFIED DIMENSIONS ARE IN MILLIMETERS. DIMENSIONS IN [ ] ARE IN INCHES AND FOR CUSTOMER REFERENCE ONLY.

UNLESS OTHERWISE SPECIFIED TOLERANCES FOR MILLIMETERS ARE:  
 0.5 - 8mm  $\pm 0.20$ mm  
 8 - 30mm  $\pm 0.40$ mm  
 30 - 120mm  $\pm 0.50$ mm

UNLESS OTHERWISE SPECIFIED TOLERANCES FOR INCHES ARE:  
 .020 - .315 =  $\pm 0.007$ "  
 .315 - 1.180 =  $\pm 0.015$ "  
 1.180 - 4.724 =  $\pm 0.020$ "

DO NOT SCALE DRAWING

APPROVALS	DATE
DRAWN M.ZHANG	03/22/10
CHECKED	
ISSUED	
SHEET 1 OF 1	
CAD FILE C:/CONNEX/112165.DWG	

Amphenol Connex			
PART DESCRIPTION BNC R/A CRIMP PLUG (FOR RG-59/U CABLE 75 ohms)			
PART NO. 112165			
DWG. NO. 112165.DWG	REV. NC	SIZE A	SCALE NA