

Excellent Integrated System Limited

Stocking Distributor

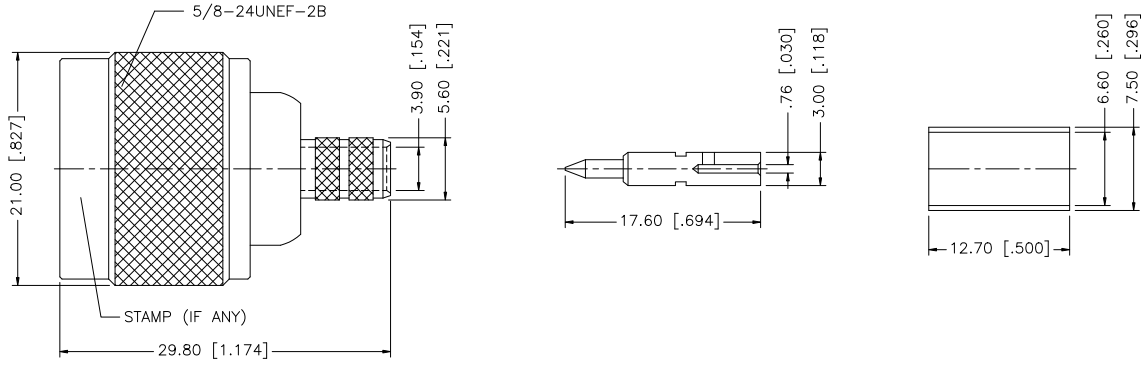
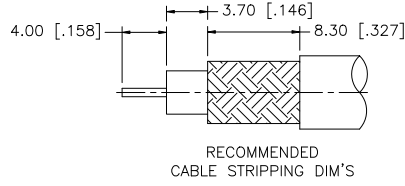
Click to view price, real time Inventory, Delivery & Lifecycle Information:

[Amphenol RF](#)
[172101](#)

For any questions, you can email us directly:

sales@integrated-circuit.com

REV.	DATE	ECR NO.	DESCRIPTION
NC	05/01/04	-	INITIAL RELEASE
A	10/10/08	-	REVISE CONTACT PIN CRIMP NOTE (2)/ ADD CABLE DESCRIPTION



NOTE:

1. CRIMPED FERRULE HEX CRIMP SIZE .255" [6.48]
2. CRIMPED CONTACT PIN HEX CRIMP SIZE .100" [2.54] OR SOLDER.

				UNLESS OTHERWISE SPECIFIED DIMENSIONS ARE IN MILLIMETERS. DIMENSIONS IN [] ARE IN INCHES AND FOR CUSTOMER REFERENCE ONLY.	APPROVALS	DATE	Amphenol Connex					
8				UNLESS OTHERWISE SPECIFIED TOLERANCES FOR MILLIMETERS ARE: 0.5 - 8mm ± 0.20mm 8 - 30mm ± 0.40mm 30 - 120mm ± 0.50mm UNLESS OTHERWISE SPECIFIED TOLERANCES FOR INCHES ARE: .020 - .315 = ± 0.007" .315 - 1.180 = ± 0.015" 1.180 - 4.724 = ± 0.020" DO NOT SCALE DRAWING	DRAWN	GRS				10/10/08	PART DESCRIPTION N CRIMP PLUG (FOR RG-59/U CABLE)	
7					CHECKED							
6					ISSUED							
5						SHEET	1 OF 1	PART NO. 172101				
4	FERRULE	COPPER	NEXCOTE	1	CAD FILE C:/172/172101.DWG			DWG. NO.	172101.DWG	REV. A	SIZE A	SCALE NA
3	CONTACT PIN	BRASS	GOLD	1								
2	INSULATOR	PTFE	NATURAL	1								
1	BODY	BRASS	NEXCOTE	1								
	DESCRIPTION	MATERIAL	FINISH	QTY								