

Excellent Integrated System Limited

Stocking Distributor

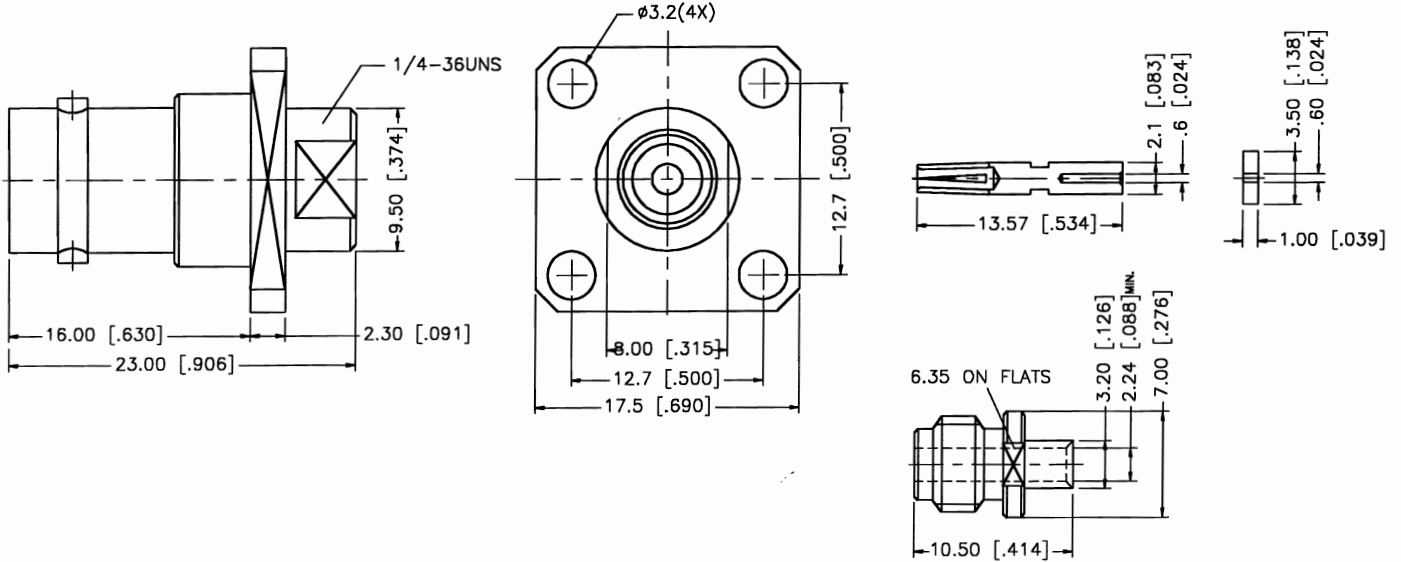
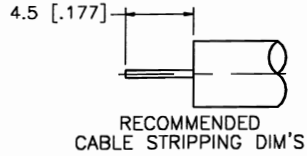
Click to view price, real time Inventory, Delivery & Lifecycle Information:

[Amphenol RF](#)
[112616](#)

For any questions, you can email us directly:

sales@integrated-circuit.com

REV.	DATE	DESCRIPTION
NC	07/26/00	INITIAL RELEASE



DESCRIPTION	MATERIAL	FINISH	UNLESS OTHERWISE SPECIFIED DIMENSIONS ARE IN MILLIMETERS	APPROVALS	DATE									
1 BODY	BRASS	NICKEL	DIMENSIONS IN [] ARE IN INCHES FOR CUSTOMER REFERENCE ONLY	DRAWN	G.R.S.	07/26/00	Connex Connector Corporation TITLE BNC PANEL DIRECT SOLDER JACK (FOR .085", .086" SEMI RIGID CABLE)							
2 INSULATOR	TEFLON	NATURAL		CHECKED										
3 CONTACT PIN	PHOS. BRONZE	GOLD	UNLESS OTHERWISE SPECIFIED TOLERANCES FOR MILLIMETERS ARE: 0.5-6 = ± 0.2 6-30 = ± 0.4 30-120 = ± 0.6 120-315 = ± 1 315-1000 = ± 1.6 1000-2000 = ± 2.4	ISSUED							SIZE	FSCM NO.	DWG. NO.	REV.
4 SOLDER NUT	BRASS	GOLD									A	99001	112616.DWG	NC
5														
6														
7														
8			DO NOT SCALE DRAWING								SCALE	NA	PART NO.	112616