

## **Excellent Integrated System Limited**

Stocking Distributor

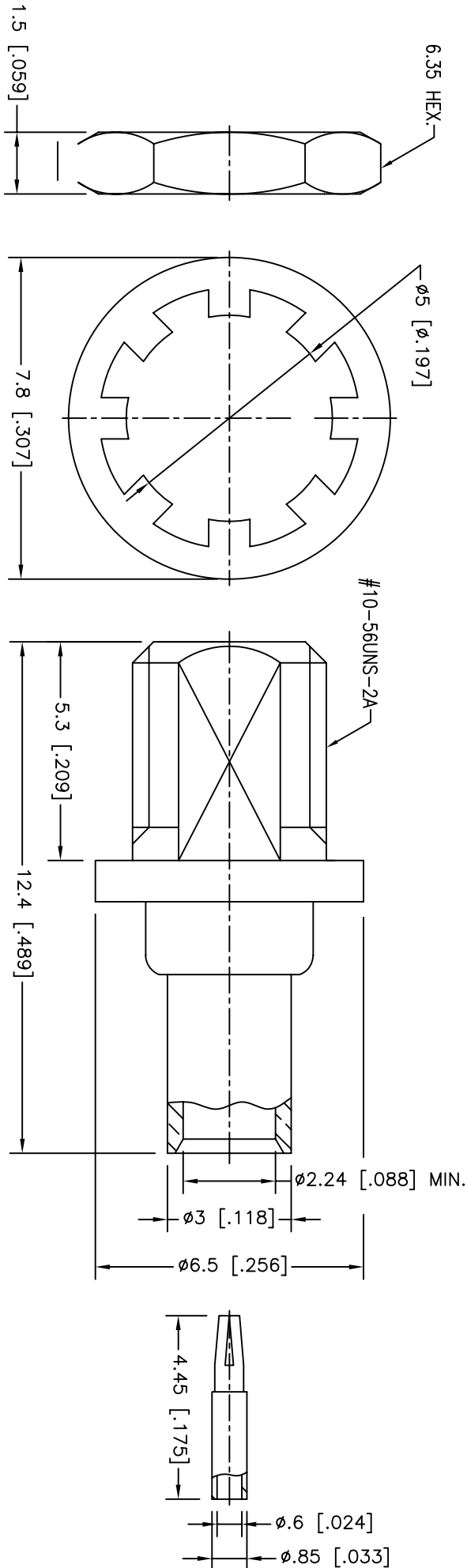
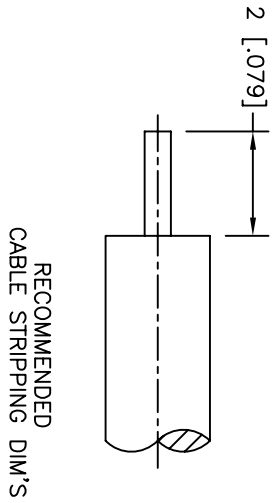
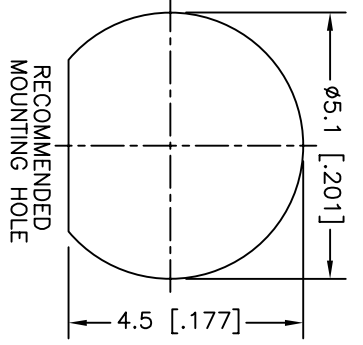
Click to view price, real time Inventory, Delivery & Lifecycle Information:

[Amphenol RF](#)  
[262124](#)

For any questions, you can email us directly:

[sales@integrated-circuit.com](mailto:sales@integrated-circuit.com)

REV.	DATE	ECR NO.	DESCRIPTION
NC	05/16/99	-	INITIAL RELEASE
A	02/19/07	--	UPDATE DRAWING FORMAT
B	02/25/10	2024	THE DIMENSION 5.3 WAS 5.8.



NOTE:  
1. SOLDER CENTER CONTACT

QTY	FINISH	MATERIAL	DESCRIPTION
1	GOLD	BRASS	BODY
1	NATURAL	PTE	INSULATOR
1	GOLD	BRASS	BARREL
1	GOLD	BERYLLIUM COPPER	CONTACT PIN
1	GOLD	BRASS	LOCK WASHER
1	GOLD	BRASS	HEX NUT

UNLESS OTHERWISE SPECIFIED DIMENSIONS ARE INCHES AND FOR CUSTOMER REFERENCE ONLY.  
 UNLESS OTHERWISE SPECIFIED TOLERANCES FOR MILLIMETERS ARE:  
 0.5 - 8mm ± 0.20mm  
 8 - 30mm ± 0.40mm  
 30 - 120mm ± 0.50mm  
 UNLESS OTHERWISE SPECIFIED TOLERANCES FOR INCHES ARE:  
 .020 - .315 ± ± 0.007"  
 .315 - 1.180 ± ± 0.015"  
 1.180 - 4.724 ± ± 0.020"

APPROVALS	DATE
DRAWN C.WANG	02/25/10
CHECKED	
ISSUED	
SHEET 1 OF 1	

**Amphenol Connex**

MMCX BULKHEAD SEMI-RIGID JACK  
(FOR 085", 086")

PART NO. 262124

QAD FILE C:/CONNEX/262124.DWG

DWG. NO. 262124.DWG

REV. B

SIZE A

SCALE NA