

Excellent Integrated System Limited

Stocking Distributor

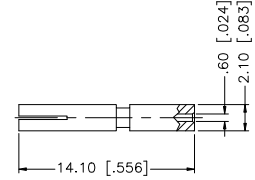
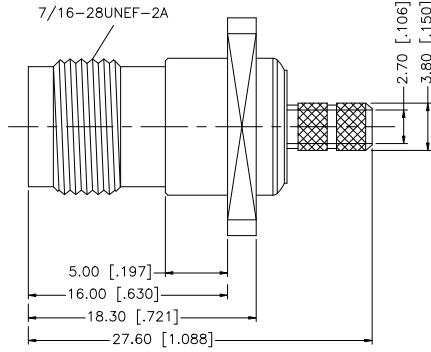
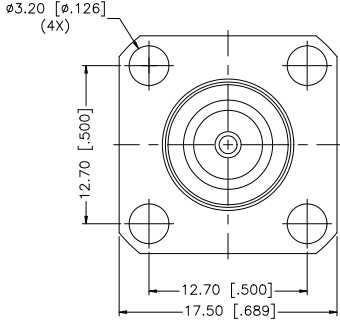
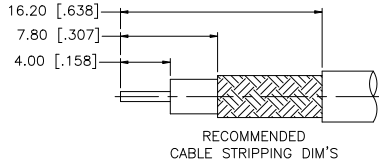
Click to view price, real time Inventory, Delivery & Lifecycle Information:

[Amphenol RF](#)
[122246](#)

For any questions, you can email us directly:

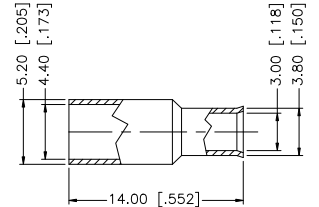
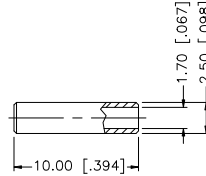
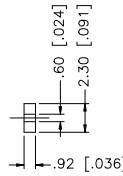
sales@integrated-circuit.com

REV.	DATE	ECR NO.	DESCRIPTION
NC	09/29/04	-	INITIAL RELEASE
A	12/28/08	-	DESIGN CHANGE - ADD INSULATOR



NOTE:

1. CRIMPED FERRULE HEX CRIMP SIZE .178" [4.52]
2. CRIMPED CONTACT PIN HEX CRIMP SIZE .068" [1.73]



REV.	DATE	ECR NO.	DESCRIPTION
NC	09/29/04	-	INITIAL RELEASE
A	12/28/08	-	DESIGN CHANGE - ADD INSULATOR

8																				
7																				
6	FERRULE	COPPER	NICKEL	1	<small>UNLESS OTHERWISE SPECIFIED DIMENSIONS ARE IN MILLIMETERS. DIMENSIONS IN [] ARE IN INCHES AND FOR CUSTOMER REFERENCE ONLY.</small> <small>UNLESS OTHERWISE SPECIFIED TOLERANCES FOR MILLIMETERS ARE:</small> 0.5 - 8mm ± 0.20mm 8 - 30mm ± 0.40mm 30 - 120mm ± 0.50mm <small>UNLESS OTHERWISE SPECIFIED TOLERANCES FOR INCHES ARE:</small> .020 - .315 = ± 0.007" .315 - 1.180 = ± 0.015" 1.180 - 4.724 = ± 0.020"															
5	SLEEVE	BRASS	NICKEL	1																
4	INSULATOR	PTFE	NATURAL	1																
3	CONTACT PIN	BER. COPPER	GOLD	1																
2	INSULATOR	DELTRIN	NATURAL	1																
1	BODY	BRASS	NICKEL	1																
	DESCRIPTION	MATERIAL	FINISH	QTY	DO NOT SCALE DRAWING															

APPROVALS		DATE	<h1 style="text-align: center;">Amphenol Connex</h1> <p style="text-align: center;">TNC PANEL CRIMP JACK (RG-174/U, 188A/U, 316/U)</p>
DRAWN	GRS	12/28/08	
CHECKED			
ISSUED			
SHEET	1 OF 1		
CAD FILE			PART NO.
C:/122/122246.DWG			122246
DWG. NO.		122246.DWG	REV. A
			SIZE A
			SCALE NA