

Excellent Integrated System Limited

Stocking Distributor

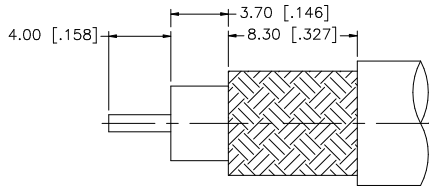
Click to view price, real time Inventory, Delivery & Lifecycle Information:

[Amphenol RF](#)
[112509](#)

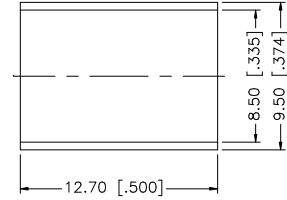
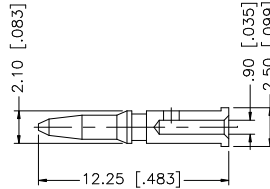
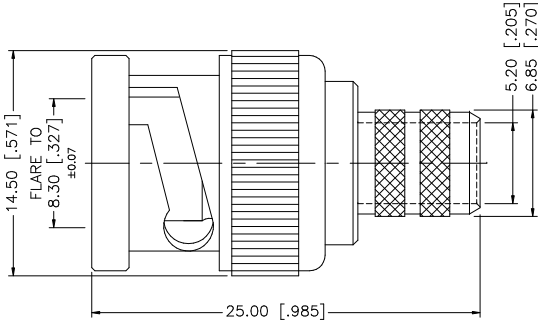
For any questions, you can email us directly:

sales@integrated-circuit.com

REV.	DATE	DESCRIPTION
A	01/10/04	INITIAL RELEASE
B	05/25/06	ADD CABLE LISTING TO DESCRIPTION



RECOMMENDED CABLE STRIPPING DIM'S



NOTE:

1. CRIMPED FERRULE
HEX CRIMP SIZE .324"
2. CRIMPED CONTACT PIN
HEX CRIMP SIZE .068"

DESCRIPTION	MATERIAL	FINISH	QTY	UNLESS OTHERWISE SPECIFIED DIMENSIONS ARE IN MILLIMETERS. DIMENSIONS IN [] ARE IN INCHES AND FOR CUSTOMER REFERENCE ONLY.	APPROVALS	DATE	<h1 style="color: blue; margin: 0;">Amphenol Connex</h1>
8					DRAWN	G.R.S.	
7					CHECKED		
6					ISSUED		
5					SHEET	1 OF 1	
4	FERRULE	COPPER	NICKEL	1	PART DESCRIPTION BNC CRIMP PLUG CABLE (FOR BELDEN 8281 CABLE)		
3	CONTACT PIN	BRASS	GOLD	1			
2	INSULATOR	DELTRIN	NATURAL	1	PART NO. 112509		
1	BODY	BRASS	NICKEL	1	DWG. NO. 112509.DWG		
				DO NOT SCALE DRAWING	CAD FILE	C:/112/112509.DWG	REV. B SIZE A SCALE NA

UNLESS OTHERWISE SPECIFIED DIMENSIONS ARE IN MILLIMETERS. DIMENSIONS IN [] ARE IN INCHES AND FOR CUSTOMER REFERENCE ONLY.

UNLESS OTHERWISE SPECIFIED TOLERANCES FOR MILLIMETERS ARE:
 0.5 - 8mm ± 0.20mm
 8 - 30mm ± 0.40mm
 30 - 120mm ± 0.50mm

UNLESS OTHERWISE SPECIFIED TOLERANCES FOR INCHES ARE:
 .020 - .315 = ± 0.007"
 .315 - 1.180 = ± 0.015"
 1.180 - 4.724 = ± 0.020"