

Excellent Integrated System Limited

Stocking Distributor

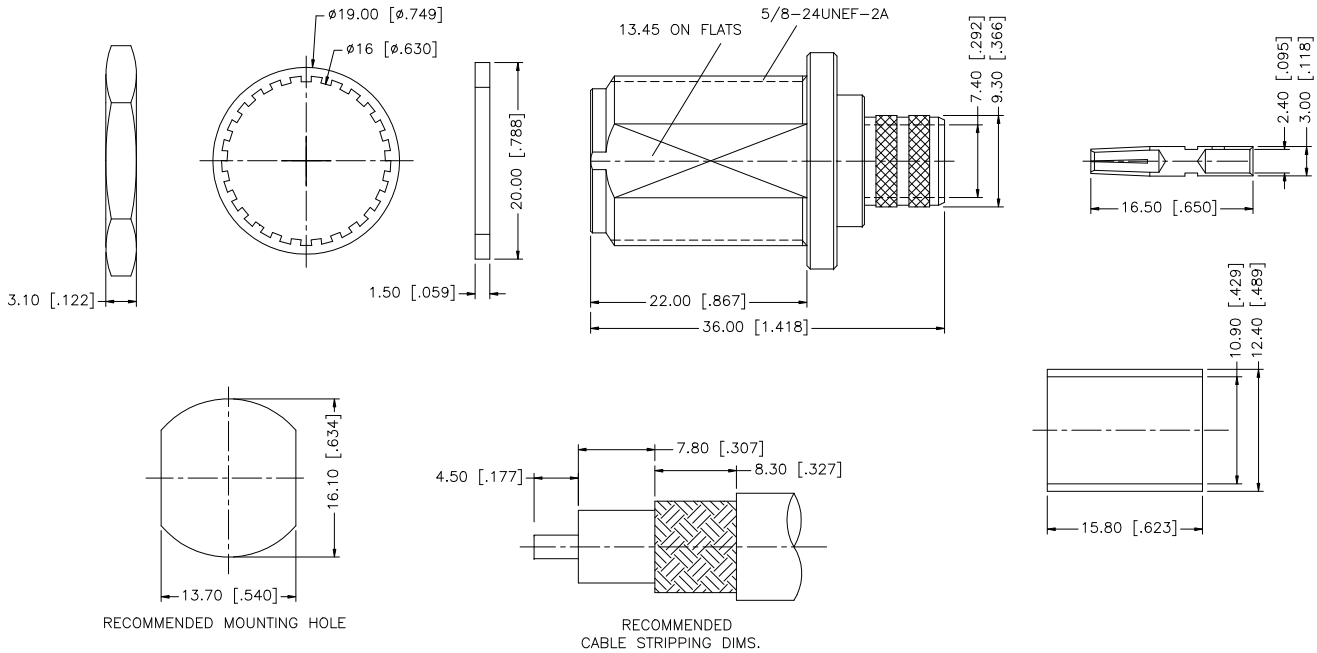
Click to view price, real time Inventory, Delivery & Lifecycle Information:

[Amphenol RF](#)
[172108](#)

For any questions, you can email us directly:

sales@integrated-circuit.com

REV.	DATE	DESCRIPTION
NC	07/31/96	INITIAL RELEASE
A	11/16/05	UPDATE DRAWING FORMAT



- NOTE:
 1. CRIMPED FERRULE
 HEX CRIMP SIZE .429"
 2. HEX CRIMP SIZE .100"

DESCRIPTION	MATERIAL	FINISH	QTY	UNLESS OTHERWISE SPECIFIED DIMENSIONS ARE IN MILLIMETERS. DIMENSIONS IN [] ARE IN INCHES AND FOR CUSTOMER REFERENCE ONLY.	APPROVALS	DATE	PART DESCRIPTION	
8 FERRULE	COPPER	NEXCOTE	1	UNLESS OTHERWISE SPECIFIED TOLERANCES FOR MILLIMETERS ARE: 0.5 - 8mm ± 0.20mm 8 - 30mm ± 0.40mm 30 - 120mm ± 0.50mm UNLESS OTHERWISE SPECIFIED TOLERANCES FOR INCHES ARE: .020 - .315 = ± 0.007" .315 - 1.180 = ± 0.015" 1.180 - 4.724 = ± 0.020" DO NOT SCALE DRAWING	DRAWN	G.R.S.		11/16/05
7 CONTACT PIN	PHOS. BRONZE	GOLD	1		CHECKED			
6 HEX NUT	BRASS	NEXCOTE	1		ISSUED			
5 LOCK WASHER	BRASS	NEXCOTE	1		SHEET	1 OF 1		
4 GASKET	SILICONE	RED	1					
3 BARREL	BRASS	NEXCOTE	1					
2 INSULATOR	TEFLON	NATURAL	1					
1 BODY	BRASS	NEXCOTE	1					
					CAD FILE	C:/172/172108.DWG	PART NO.	172108
							DWG. NO.	172108.DWG
							REV.	NC
							SIZE	A
							SCALE	NA

Amphenol Connex