

Excellent Integrated System Limited

Stocking Distributor

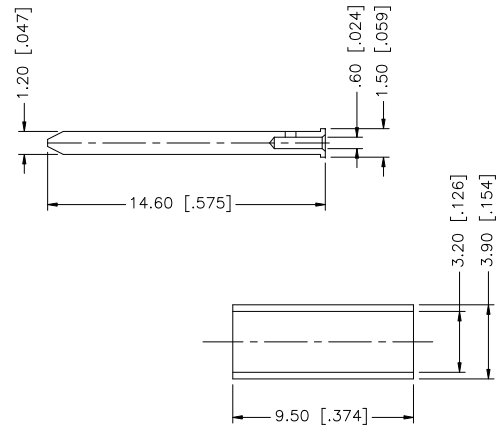
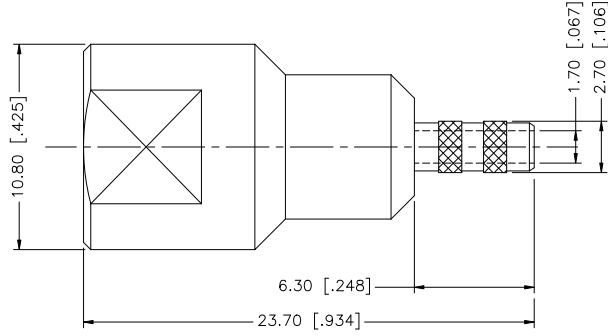
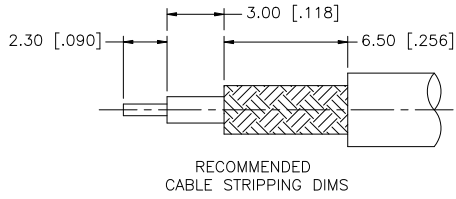
Click to view price, real time Inventory, Delivery & Lifecycle Information:

[Amphenol RF](#)
[192114](#)

For any questions, you can email us directly:

sales@integrated-circuit.com

REV.	DATE	DESCRIPTION
NC	07/18/97	INITIAL RELEASE
A	07/31/07	UPDATE DRAWING FORMAT



8				<small>UNLESS OTHERWISE SPECIFIED DIMENSIONS ARE IN MILLIMETERS. DIMENSIONS IN [] ARE IN INCHES AND FOR CUSTOMER REFERENCE ONLY.</small> <small>UNLESS OTHERWISE SPECIFIED TOLERANCES FOR MILLIMETERS ARE:</small> 0.5 - 8mm ± 0.20mm 8 - 30mm ± 0.40mm 30 - 120mm ± 0.50mm <small>UNLESS OTHERWISE SPECIFIED TOLERANCES FOR INCHES ARE:</small> .020 - .315 = ± 0.007" .315 - 1.180 = ± 0.015" 1.180 - 4.724 = ± 0.020"	APPROVALS	DATE	<h1 style="color: blue;">Amphenol Connex</h1> <p>FME CRIMP PLUG (FOR RG-174/U, 188A/U, 316/U CABLE)</p>	
7					DRAWN	G.R.S.		07/31/07
6					CHECKED			
5					ISSUED			
4	FERRULE	BRASS	NICKEL		1	SHEET		1 OF 1
3	CONTACT PIN	BRASS	GOLD	1	CAD FILE		192114	
2	INSULATOR	TEFLON	NATURAL	1	C:/192/192114.DWG			
1	BODY	BRASS	NICKEL	1	DO NOT SCALE DRAWING		DWG. NO. 192114.DWG REV. A SIZE A SCALE NA	