

Excellent Integrated System Limited

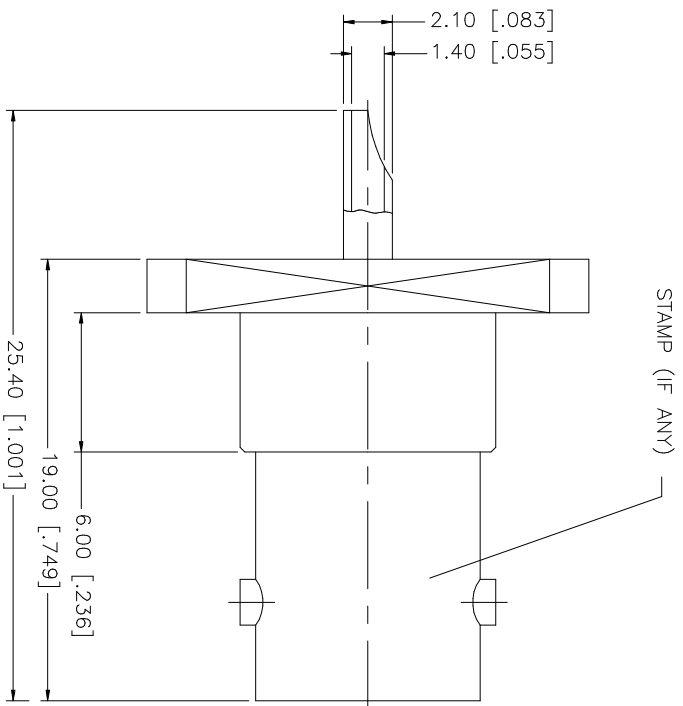
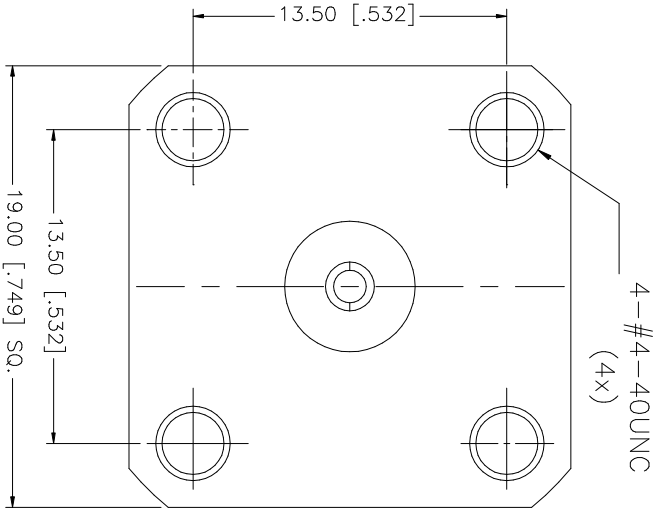
Stocking Distributor

Click to view price, real time Inventory, Delivery & Lifecycle Information:

[Amphenol RF
112511](#)

For any questions, you can email us directly:
sales@integrated-circuit.com

REV.	DATE	DESCRIPTION
NC	04/04/03	INITIAL RELEASE



NO.	DESCRIPTION	MATERIAL	FINISH	QTY	UNLESS OTHERWISE SPECIFIED DIMENSIONS ARE IN INCHES AND FOR CUSTOMER REFERENCE ONLY. TOLERANCES FOR MILLING ARE: UNLESS OTHERWISE SPECIFIED TOLERANCES FOR TURNING ARE: UNLESS OTHERWISE SPECIFIED TOLERANCES FOR INCHES ARE:	APPROVALS	DATE	PART DESCRIPTION	
8					UNLESS OTHERWISE SPECIFIED DIMENSIONS ARE IN INCHES AND FOR CUSTOMER REFERENCE ONLY. TOLERANCES FOR MILLING ARE: UNLESS OTHERWISE SPECIFIED TOLERANCES FOR TURNING ARE: UNLESS OTHERWISE SPECIFIED TOLERANCES FOR INCHES ARE: 0.5 - 0.8mm ± 0.20mm 8 - 30mm ± 0.40mm 30 - 120mm ± 0.50mm	DRAWN	G.R.S.	04/04/03	Amphenol Connex BNC PANEL JACK RECEPT. (FLUSH FLANGE - #4-40 THREADS)
7					0.020 - .315 = ± 0.007" .315 - 1.180 = ± 0.015" 1.180 - 4.724 = ± 0.020"	CHECKED			
6					DO NOT SCALE DRAWING	ISSUED			
5						SHEET	1 OF 1		
4	CONTACT PIN	PHOS. BRONZE	GOLD	1		CAD FILE	C:/112/112511.DWG	DWG. NO.	
3	INSULATOR	TEFLON	NATURAL	1				REV.	NC
2	HOUSING/BODY	BRASS	NICKEL	1				SIZE	A
1	DESCRIPTION							SCALE	NA