

## Excellent Integrated System Limited

Stocking Distributor

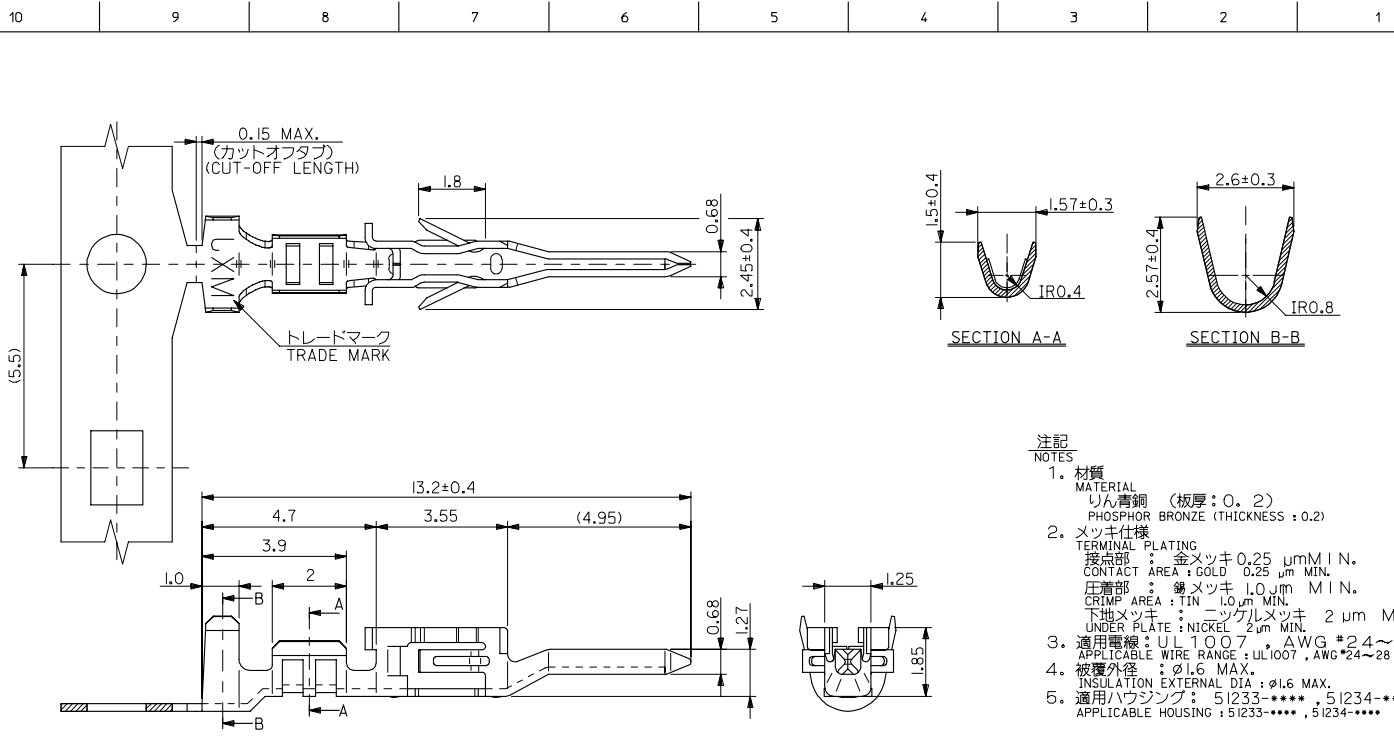
Click to view price, real time Inventory, Delivery & Lifecycle Information:

[Molex Connector Corporation](#)

[0561188328](#)

For any questions, you can email us directly:

[sales@integrated-circuit.com](mailto:sales@integrated-circuit.com)



注記  
NOTES

- 材質  
MATERIAL  
U/P青銅 (板厚: 0.2)  
PHOSPHOR BRONZE (THICKNESS: 0.2)
- メッキ仕様  
TERMINAL PLATING  
接点部: 金メッキ 0.25 μm MIN.  
CONTACT AREA: GOLD 0.25 μm MIN.  
圧着部: 錫メッキ 1.0 μm MIN.  
CRIMP AREA: TIN 1.0 μm MIN.  
下地メッキ: ニッケルメッキ 2 μm MIN.  
UNDER PLATE: NICKEL 2 μm MIN.
- 適用電線: UL1007, AWG #24~28  
APPLICABLE WIRE RANGE: UL1007, AWG #24~28
- 被覆外径: φ1.6 MAX.  
INSULATION EXTERNAL DIA: φ1.6 MAX.
- 適用ハウジング: 51233-\*\*\*\*, 51234-\*\*\*\*  
APPLICABLE HOUSING: 51233-\*\*\*\*, 51234-\*\*\*\*

バラ状 LOOSE	56118-8328	56118-8***
連続状 CHAIN	56118-8228	
端子形状	MATERIAL No.	MODEL No.

RELEASED EC NO: J2005-2545 0 DRAWN: YSUGIURA01 2005/03/04 CHIKUMIYANAKA 2005/03/07 APPR: NUKITA 2005/03/15 REVISION 0 DESCRIPTION GENERAL TOLERANCES (UNLESS SPECIFIED) 10 UNDER ±0.2 10 OVER 30 UNDER ±0.25 30 OVER ±0.3 ANGULAR ±3 ° DRAFT WHERE APPLICABLE MUST REMAIN WITHIN DIMENSIONS	DIMENSION STYLE MM ONLY	DESIGN UNITS METRIC	THIRD ANGLE PROJECTION	
	DRAWN BY YSUGIURA	DATE 2005/03/02	TITLE COMPACT ROBOT CONN. (CRC) CRIMP PIN -LEAD FREE-	
	CHECKED BY MTANAKA	DATE 2005/03/02	MOLEX INCORPORATED	
	APPROVED BY NUKITA	DATE 2005/03/02	MATERIAL NO. SEE CHART	DOCUMENT NO. SD-56118-004
SIZE A3		THIS DRAWING CONTAINS INFORMATION THAT IS PROPRIETARY TO MOLEX INCORPORATED AND SHOULD NOT BE USED WITHOUT WRITTEN PERMISSION		
		SHEET NO. 1 OF 1		