

Excellent Integrated System Limited

Stocking Distributor

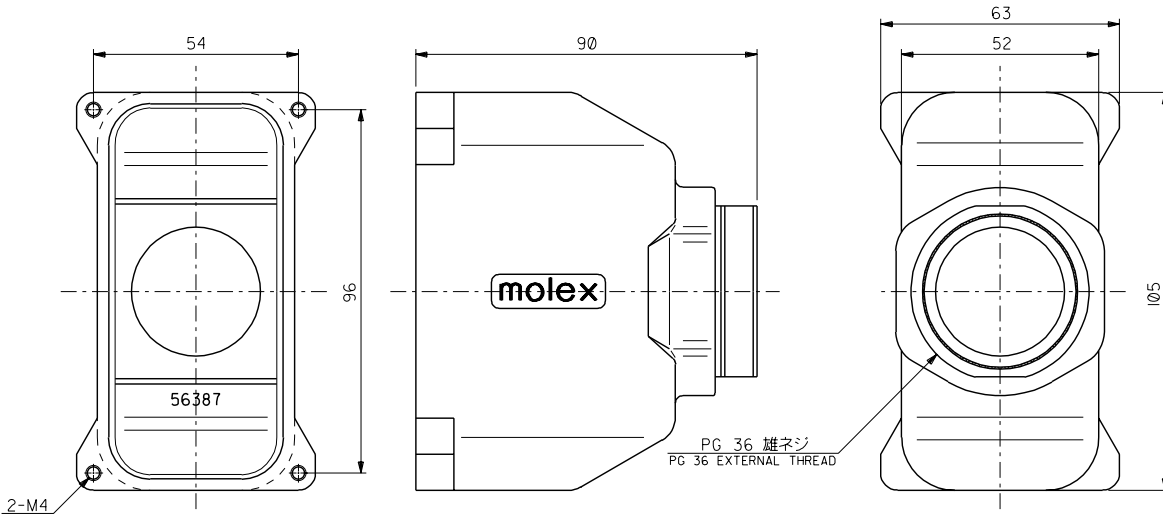
Click to view price, real time Inventory, Delivery & Lifecycle Information:

[Molex Connector Corporation](#)
[0563870000](#)

For any questions, you can email us directly:

sales@integrated-circuit.com

DWG. NO. SD-56387-002



注)
NOTES

- 適用リセプタクルシェルアッセンブリ: 58719-***0
APPLICABLE RECEPTACLE SHELL ASS'Y : 58719-***0
- 適用エンドベルキャップセット: 58866-*****
APPLICABLE END BELL CAP SET : 58866-*****
- 適用取り付けねじ (リセプタクルシェルアッセンブリ) : M4x10
APPLICABLE SCREW (RECEPTACLE SHELL ASS'Y): M4x10

56387-0000	56387-0*00
MATERIAL No.	MODEL NO.

DO NOT SCALE DRAWING

EC NO. DRWN: CHK: APPR:		EC NO. DRWN: CHK: APPR:		EC NO. DRWN: CHK: APPR:		EC NO. DRWN: CHK: APPR:		EC NO. DRWN: CHK: APPR:		RELEASED 01/01/22 EC NO. JD2001-09T2 DRWN: S. AKIYAMA CHK: J. MIYAZAWA APPR: H. KESUJICHI		MATERIAL 材料	GENERAL TOLERANCES: (UNLESS SPECIFIED) 一般公差	SCALE 1:1	DESIGN UNITS <input checked="" type="checkbox"/> MM <input type="checkbox"/> INCH	THIRD ANGLE PROJECTION <input type="checkbox"/> 1ST ANGLE <input checked="" type="checkbox"/> THIRD ANGLE	DRAWN BY & DATE S. Akiyama 01/01/22 CHECKED BY & DATE H. Kesujicchi 01/01/22 APPROVED BY & DATE H. Kesujicchi 01/01/22	TITLE: POWER CONN. 48P W TO W TYPE COVER	DIMENSIONS: <input type="checkbox"/> MM <input type="checkbox"/> INCH <input checked="" type="checkbox"/> MM ONLY	SHT REV		
8		7		6		5		4		3		2		1		A		B				
WIRE RANGE 適用電線範囲												ANGLE 角度	CAD FILE NAME 56387002.S01		MATERIAL NO. SEE CHART	DRAWING NO. SD-56387-002	SHEET NO. 1 OF 1	SIZE B	THIS DRAWING CONTAINS INFORMATION THAT IS PROPRIETARY TO MOLEX INCORPORATED AND SHOULD NOT BE USED WITHOUT WRITTEN PERMISSION.		EN-02J(097) MXJ-54	