

Excellent Integrated System Limited

Stocking Distributor

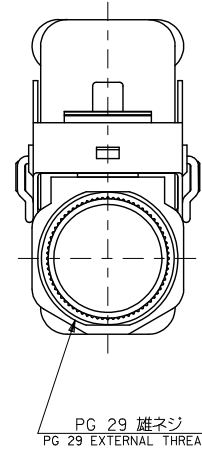
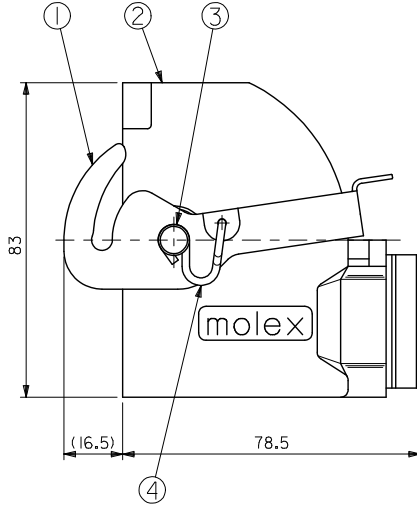
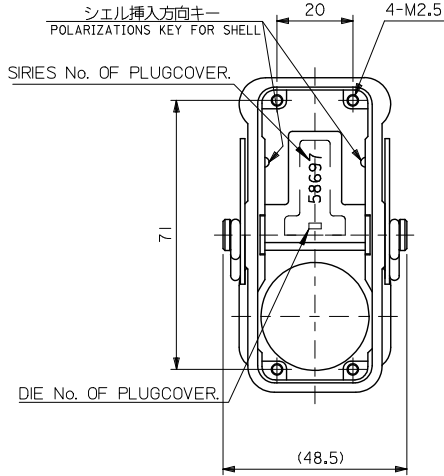
Click to view price, real time Inventory, Delivery & Lifecycle Information:

[Molex Connector Corporation](#)
[0586960010](#)

For any questions, you can email us directly:

sales@integrated-circuit.com

部番	部品名	数量	材質	記事
①	レバー LEVER	1	鋼 STEEL	塗装処理 PAINTING
②	プラグカバー PLUG COVER	1	アルミ合金 ALUMINIUM ALLOY	—
③	ロックピン LOCKING PIN	2	ステンレス STAINLESS STEEL	—
④	レバースプリング LEVER SPRING	2	ステンレス STAINLESS STEEL	—



NOTES:

- 適用プラグシエルアセンブリー
APPLICABLE PLUG SHELL ASS'Y
1) TYPE A : 58687-0010
2) TYPE B : 58687-0020
- 適用エンドベルキャップセット
APPLICABLE END BELL CAP SET
58550-****

58696-0010	58696-0010
MATERIAL NO.	MODEL NO.
DESIGN UNITS METRIC	THIRD ANGLE PROJECTION

REVISED EC NO. J2009-0816 DRAWN: MAEDA 2008/11/05 CHKD: NIKITA 2008/12/19 APPR: NIKITA 2008/12/19	GENERAL TOLERANCES (UNLESS SPECIFIED)		DIMENSION STYLE MM ONLY	SCALE 1:1	TITLE POWER CONN 36P PLUG COVER ASSY	
	10 UNDER	± 0.2	DRAWN BY M. HOSONO	DATE 1998/04/15	MOLEX INCORPORATED	
	10 OVER 30 UNDER	± 0.25	CHECKED BY Y. ITO	DATE 1998/04/15		
	30 OVER	± 0.3	APPROVED BY N. KOSUGI	DATE 1998/04/15	SHEET NO. 1 OF 1	
ANGULAR ± 3 °		DRAFT WHERE APPLICABLE MUST REMAIN WITHIN DIMENSIONS		MATERIAL NO. SEE TABLE		DOCUMENT NO. SD-58696-002
THIS DRAWING CONTAINS INFORMATION THAT IS PROPRIETARY TO MOLEX INCORPORATED AND SHOULD NOT BE USED WITHOUT WRITTEN PERMISSION						

注記:
NOTES

関連図面
RELATION DRAWING

<適用ハウジング及び適用端子>
<APPLICABLE HOUSING AND TERMINAL>

	適用ハウジング APPLICABLE HOUSING	適用端子 APPLICABLE TERMINAL
ピン ハウジング PIN HOUSING	SD-51192-002	SD-5558-001 SD-5558-002
ソケット ハウジング SOCKET HOUSING	SD-51193-002	SD-5556-004
プラグ ハウジング PLUG HOUSING	SD-503193-001	SD-503195-001
リセプタクル ハウジング RECEPTACLE HOUSING	SD-503194-001	SD-503196-001

<共通部品>
<COMMON PARTS>

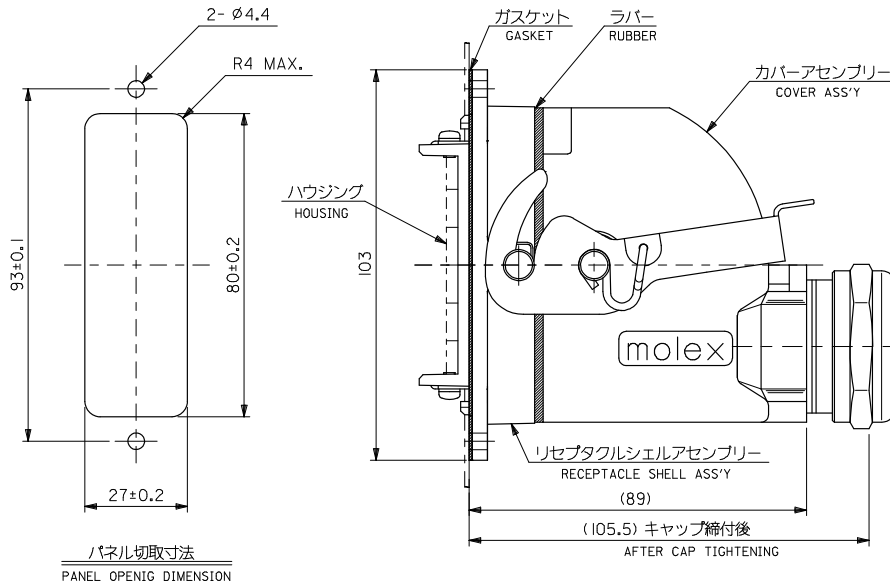
リセプタクルシェル アセンブリ RECEPTACLE SHELL ASSEMBLY	SD-58691-002
プラグシェル アセンブリ PLUG SHELL ASSEMBLY	SD-58687-002
カバー アセンブリ COVER ASSEMBLY	SD-58696-002
カバー (中継用) COVER (FOR CONJUNCTION)	SD-56386-002
エンドベルキャップセット END BELL CAP SET	SD-58550-****
リセプタクル側ダストカバー DUST COVER FOR RECEPTACLE	SD-51201-002

関連規格

RELATION NORMATIVE

VDE0110 250V 汚染度 III
過電圧カテゴリー II に適合
APPLICABLE 250V POLLUTION DEGREE
AND OVER VOLTAGE CATEGORY

保護等級 IP65
DEGREE OF PROTECTION



パネル切取寸法
PANEL OPENING DIMENSION

GENERAL TOLERANCES (UNLESS SPECIFIED)		DIMENSION STYLE MM ONLY	SCALE 1:1	DESIGN UNITS METRIC	THIRD ANGLE PROJECTION
10 UNDER	± 0.2	DRAWN BY H. HOSONO	DATE '98/04/15	TITLE POWER CONN 36P MATED CONNECTOR	
10 OVER 30 UNDER	± 0.25	CHECKED BY YO. ITO	DATE '98/04/15		
30 OVER	± 0.3	APPROVED BY H. IKESUGI	DATE '98/04/15		
ANGULAR	±3 °	MATERIAL NO.	DOCUMENT NO.	MOLEX INCORPORATED	
DRAFT WHERE APPLICABLE MUST REMAIN WITHIN DIMENSIONS		SIZE A3	THIS DRAWING CONTAINS INFORMATION THAT IS PROPRIETARY TO MOLEX INCORPORATED AND SHOULD NOT BE USED WITHOUT WRITTEN PERMISSION		
REVISED	DESCRIPTION	SHEET NO. 1 OF 1			