

## **Excellent Integrated System Limited**

Stocking Distributor

Click to view price, real time Inventory, Delivery & Lifecycle Information:

[Molex Connector Corporation](#)  
[0588660003](#)

For any questions, you can email us directly:  
[sales@integrated-circuit.com](mailto:sales@integrated-circuit.com)

DWG. NO. SD-58866-002

F

E

D

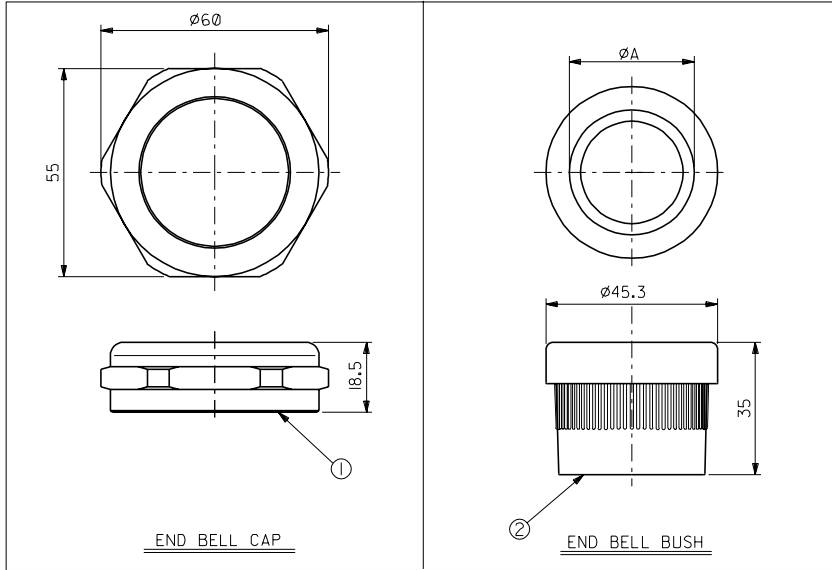
C

B

A

DO NOT SCALE DRAWING

部番 NO.	部品名 PARTS NAME	個数 QUAN.	材質 MATERIAL
①	ケーブル キャップ CABLE CAP	1	黄銅、ニッケルメッキ BRASS, NI PLATING
②	ブッシュ BUSH	1	ポリ塩化ビニル PVC



橙 ORANGE	φ20~φ25	25	58866-0003	58866-****
青 BLUE	φ14~φ18	18	58866-0002	
黄 YELLOW	φ24~φ28	28	58866-0001	
黒 BLACK	φ29~φ33	33	58866-0000	
ブッシュ色 BUSH COLOR	適用電線径 WIRE SIZE	A	MATERIAL NO.	MODEL NO.
			製品番号	

EC NO. DRAWN: CHK: APPR:	REVISED 91/05/14 EC NO. JD2001-1521 DRWN: S.AKIYAMA CHK: J.MIYAZAWA APPR: H.IKESUGI	REVISED 91/09/22 EC NO. JD2001-0972 DRWN: S.AKIYAMA CHK: J.MIYAZAWA APPR: H.IKESUGI	REVISED 99/10/06 EC NO. JD2000-0333 DRWN: S.AKIYAMA CHK: J.MIYAZAWA APPR: H.IKESUGI	RELEASED EC NO. JD90700-98/11/10 DRWN: Y.TETSUKA CHK: S.AKIYAMA/YO.ITO APPR: H.IKESUGI	MATERIAL 材料 SEE CHART	GENERAL TOLERANCES: (UNLESS SPECIFIED) 一般公差	SCALE 1:1	DESIGN UNITS mm INCH	THIRD ANGLE PROJECTION	DIMENSIONS: mm INCH mm ONLY	SHT REV
C	B	A	φ	DESCRIPTION	FINISH 仕上げ	10 UNDER 未満	±0.2	DRAWN BY & DATE Y.TETSUKA 98/11/10	TITLE: POWER CONN. END BELL CAP SET (PG36)		REVISE ON CAD ONLY
				WIRE RANGE 適用電線範囲		10 OVER 以上	±0.25	CHECKED BY & DATE S. Akiyama 98/11/12	MOLEX INCORPORATED		
				INS. RANGE 被覆外径		30 OVER 以上	±0.3	APPROVED BY & DATE S. Akiyama 98/11/12	MATERIAL NO. SEE CHART	DRAWING NO. SD-58866-002	SHEET NO. 1 OF 1
8	7	6	5	4	3	2	1	THIS DRAWING CONTAINS INFORMATION THAT IS PROPRIETARY TO MOLEX INCORPORATED AND SHOULD NOT BE USED WITHOUT WRITTEN PERMISSION.			
EN-02J(097) MXJ-54											