

## Excellent Integrated System Limited

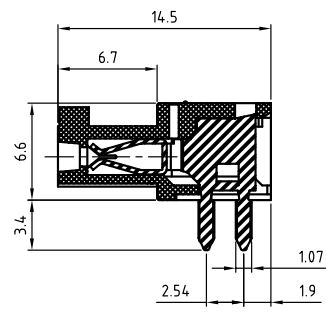
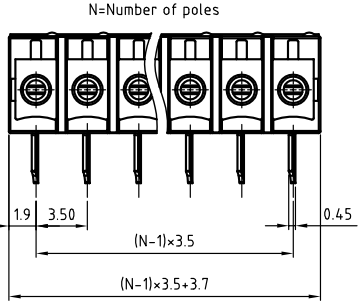
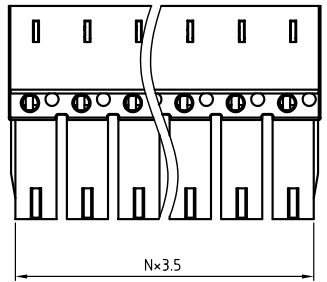
Stocking Distributor

Click to view price, real time Inventory, Delivery & Lifecycle Information:

[On-Shore Technology, Inc.](#)  
[OSTV7021151](#)

For any questions, you can email us directly:  
[sales@integrated-circuit.com](mailto:sales@integrated-circuit.com)

SIGN	DATE	DESCRIPTION	APPROVER
<b>THIS IS CAD DRAWING, DO NOT REVISE MANUALLY!!!</b>			



- Material**
- Wire guard: PbZ(CuZn)
  - Surface of solder tail: Tin plated
  - Insulator (housing): Thermoplastic (UL94V-0)

- Electrical**
- Voltage rating: 300VAC
  - Current rating: 8A
  - Withstanding Voltage: 1.6kv
  - Operating temperature: -30°C to +105°C
  - Soldering temperature: 250°C±10°C/5 Sec

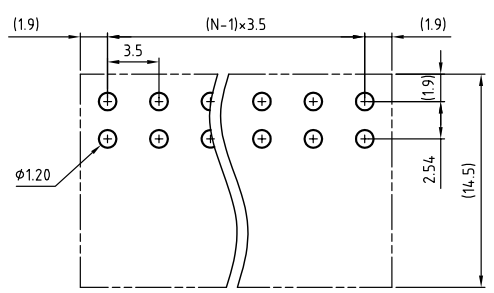
RoHS Compliant

PART NUMBER:

**OSTV7XX1151**

- |              |                     |
|--------------|---------------------|
| No. of Poles | COLOR               |
| 02 2 Pole    | 0: Black            |
| 03 3 Pole    | 5: Green (Standard) |
| ...          | 6: Blue             |
| 24 24 Pole   | 8: Light Grey       |

P.C.B LAYOUT



THESE DRAWINGS AND SPECIFICATIONS ARE THE PROPERTY OF ON-SHORE TECHNOLOGY, INC. AND SHALL NOT BE REPRODUCED, COPIED OR USED IN ANY MANNER WITHOUT THE PRIOR WRITTEN CONSENT OF ON-SHORE TECHNOLOGY, INC.



TITLE		OSTV7- 3.5mm series 90° Right angle 2p-6p			DWG NO.	OSTV7XX1151.DWG		Tolerance	
PART NO.		OSTV7XX1151		CUST NO.				X	±0.5
APPROVED	CHECKED	DESIGNED	DRAWN			UNIT:	mm	X.X	±0.3
Shi Jun 2006.11.09	Shi Jun 2006.11.09	Tason 2006.11.09	Tason 2006.11.09			SCALE:	NONE	X.XX	±0.1
				SHEET: 01/01		REV.:	B	X*	±1°