

## Excellent Integrated System Limited

Stocking Distributor

Click to view price, real time Inventory, Delivery & Lifecycle Information:

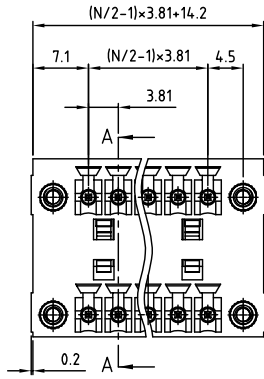
[On-Shore Technology, Inc.](#)

[OSTVL043250](#)

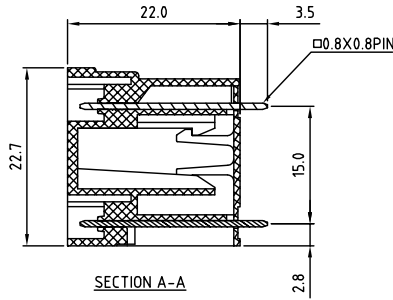
For any questions, you can email us directly:

[sales@integrated-circuit.com](mailto:sales@integrated-circuit.com)

SIGN	DATE	DESCRIPTION	APPROVER
THIS IS CAD DRAWING, DO NOT REVISE MANUALLY!!!			



N=Number of poles



**Material**

- Terminal body (Contact pin): Brass Whit Tin plated
- With flange nut : Brass
- Insulator (housing): Thermoplastic (UL94V-0)

**Electrical cULus**

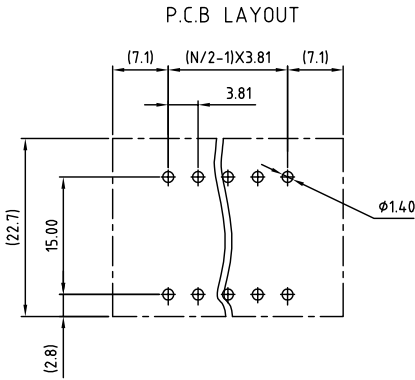
- Voltage rating: 300VAC
- Current rating: 10A
- Withstanding Voltage: 1.6KV
- Operating temperature: -30°C to +105°C
- Soldering temperature: 250°C±10°C/5 Sec
- Safety Approval:

RoHS Compliant

**PART NUMBER:**

**OSTVLXX3250**

- |                |                     |
|----------------|---------------------|
| No. of Poles   | COLOR               |
| 04: 2x02 Poles | 0: Black            |
| 06: 2x03 Poles | 5: Green (Standard) |
| : :            | 6: Blue             |
| 48 2x24 Poles  | 8: Grey             |



THESE DRAWINGS AND SPECIFICATIONS ARE THE PROPERTY OF ON-SHORE TECHNOLOGY, INC. AND SHALL NOT BE REPRODUCED, COPIED OR USED IN ANY MANNER WITHOUT THE PRIOR WRITTEN CONSENT OF ON-SHORE TECHNOLOGY, INC.

		TITLE		OSTVL-3.81mm Series with flange vertical 2x2p-2x24p	
		PART NO.	OSTVLXX3250	DWG NO.	OSTVLXX3250.DWG
APPROVED	CHECKED	DESIGNED	DRAWN	CUST NO.	Tolerance
Shi Jun 2006.10.23	Marvin 2006.10.23	Marvin 2006.10.23	Marvin 2006.10.23		X: ±0.50 X.X: ±0.30 X.XX: ±0.10 X*: ±1°
SHEET: 01/01				REV: C	UNIT: mm SCALE: NONE