

## Excellent Integrated System Limited

Stocking Distributor

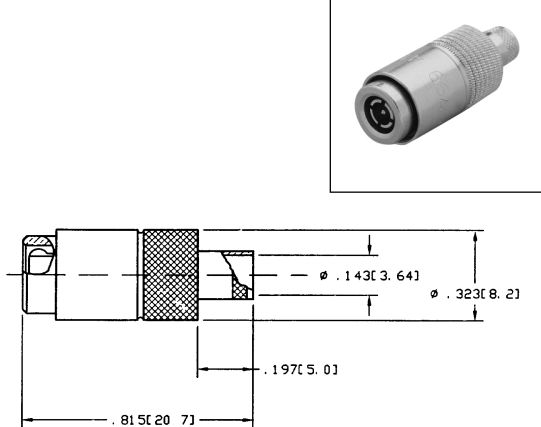
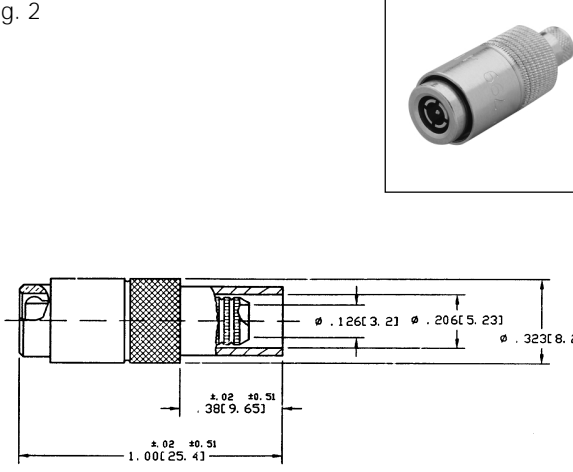
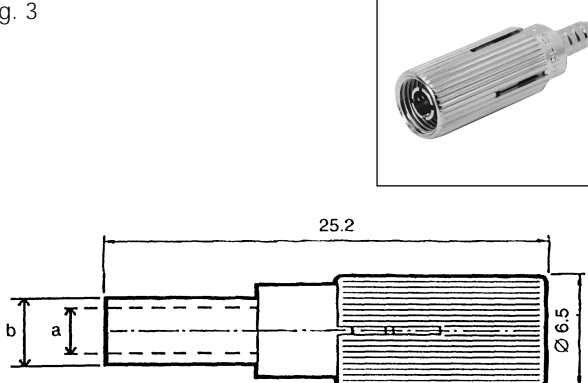
Click to view price, real time Inventory, Delivery & Lifecycle Information:

[Amphenol RF](#)  
[102-920-06](#)

For any questions, you can email us directly:

[sales@integrated-circuit.com](mailto:sales@integrated-circuit.com)

# 1.0/2.3 Amphenol® Straight Cable Plugs for Semi-Rigid & Flexible Cable

<p>Fig. 1</p>  <p style="text-align: center;">Straight Push-Pull Plugs Solder to Body  <b>102-799-41</b> for .141 (3.6mm) SR RG 402  <b>102-799-85</b> for .085 (2.2mm) SR RG 405</p>	<p>Fig. 2</p>  <p style="text-align: center;">Straight Push-Pull Plugs Braid Crimp Solder Contact  <b>102-799-04</b> for RG 58  <b>102-799-04DB</b> for RG 142  <b>102-799-16</b> for RG 174, 179, 188, 316  <b>102-799-16DB</b> for Double Braid RG 174, 316  <b>102-799-20</b> for LMR200  <b>102-799-48</b> for LMR 240</p>
<p>Fig. 3</p>  <p style="text-align: center;">Straight Screw-On Plug  <b>102-920-06</b> for RG-174, 188, 316</p>	

## 1.0/2.3 CABLE PLUGS

Cable	Cable Attachment		Dimensions, inches (mm)			CAI	PLI	Ins.	Amphenol Number	Fig.
	Outer	Inner	a	b						
.141 S/R RG 402	Solder	Solder	.815(20.7)	.143(3.64)	C78	P37	D1	<a href="#">102-799-41</a>	1	
.085 S/R RG 405	Solder	Solder	.815(20.7)	.090(2.3)	C78	P37	D1	<a href="#">102-799-85</a>	1	
RG 58	Crimp	Crimp	.984(25.0)	.206(5.23)	C79	P37	D1	<a href="#">102-799-04</a>	2	
RG 142B	Crimp	Solder	.984(25.0)	.216(5.5)	C79	P37	D1	<a href="#">102-799-04DB</a>	2	
RG 174, 179, 187, 188, 316	Crimp	Crimp	.984(25.0)	.128(3.25)	C79	P37	D1	<a href="#">102-799-16</a>	2	
RG 316 Double Braid	Crimp	Solder	.984(25.0)	.142(3.61)	C79	P37	D1	<a href="#">102-799-16DB</a>	2	
LMR200	Crimp	Solder	.984(25.0)	.206(5.23)	C79	P37	D1	<a href="#">102-799-20</a>	2	
LMR240	Crimp	Solder	1.38(35.0)	.261(6.63)	C79	P37	D1	<a href="#">102-799-48</a>	2	
RG 174, 188, 316	Crimp	Crimp	.992(25.2)	.128(3.25)	C79	P37	D1	<a href="#">102-920-06</a>	3	

• Accommodates cable diameter