

## Excellent Integrated System Limited

Stocking Distributor

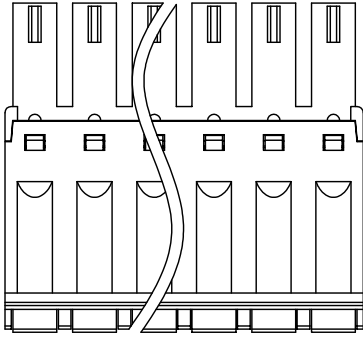
Click to view price, real time Inventory, Delivery & Lifecycle Information:

[On-Shore Technology, Inc.](#)  
[OSTHW243050](#)

For any questions, you can email us directly:  
[sales@integrated-circuit.com](mailto:sales@integrated-circuit.com)

SIGN	DATE	DESCRIPTION	APPROVER

THIS IS CAD DRAWING, DO NOT REVISE MANUALLY!!!



**Material**

- Terminal body(Contact pin) : PhBz,tin plated
- Wire guard : Stainless steel
- Insulator (housing): Thermoplastic (UL94V-0)

**Electrical**

- Voltage rating: 125V
- Current rating: 4A
- Solid wire(AWG): 20-28
- Stranded wire(AWG): 20-28
- Wire strip length: 5-6mm
- Withstanding Voltage: 1.25KV
- Operating temperature: -30°C to +105°C
- Safety Approval:

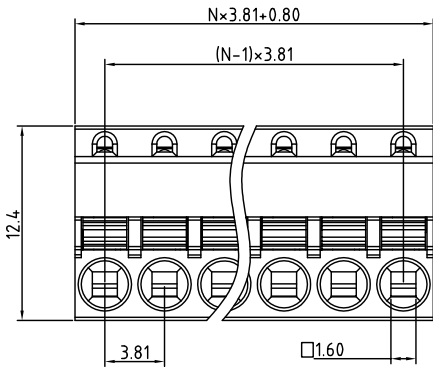
RoHS Compliant

PART NUMBER:

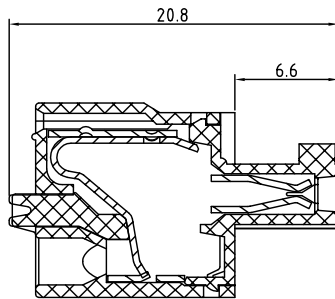
OSTHWXX3050

No. of Poles  
02: 2 Poles  
:  
24: 24 Poles

COLOR  
0: Black  
5: Green (Standard)  
6: Blue  
8: Grey



N=Number of contacts



THESE DRAWINGS AND SPECIFICATIONS ARE THE PROPERTY OF ON-SHORE TECHNOLOGY, INC. AND SHALL NOT BE REPRODUCED, COPIED OR USED IN ANY MANNER WITHOUT THE PRIOR WRITTEN CONSENT OF ON-SHORE TECHNOLOGY, INC.

TITLE		OSTHW 3.81mm series 2p-24p							
PART NO.		OSTHWXX3050			DWG NO.		OSTHWXX3050.DWG		
APPROVED		CHECKED	DESIGNED	DRAWN	CUST NO.		Tolerance		
Shi jun 2006.11.07		Marvin 2006.06.23	Marvin 2006.06.23	Marvin 2006.06.23			UNIT: mm	X	+0.50
					SHEET: 01/01		SCALE: NONE	X.X	+0.30
					REV.: D		X.XX	X.XX	+0.10
							X*	X*	±1°