

## Excellent Integrated System Limited

Stocking Distributor

Click to view price, real time Inventory, Delivery & Lifecycle Information:

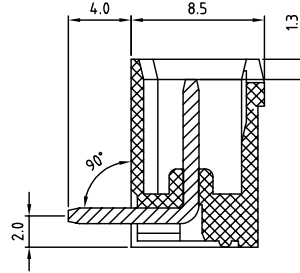
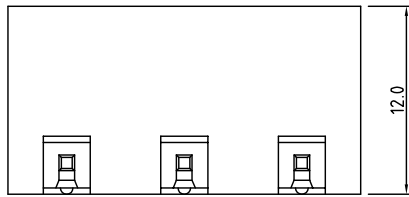
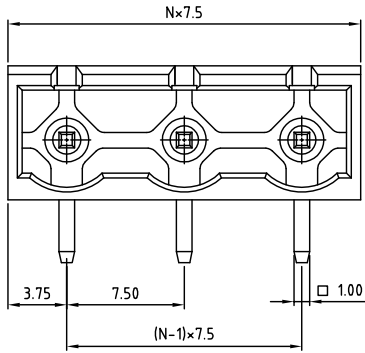
[On-Shore Technology, Inc.](#)

[OSTOQ24A151](#)

For any questions, you can email us directly:

[sales@integrated-circuit.com](mailto:sales@integrated-circuit.com)

SIGN	DATE	DESCRIPTION	APPROVER
THIS IS CAD DRAWING, DO NOT REVISE MANUALLY!!!			



**Material**

- Terminal body
- (contact pin): Brass(CuZn) Tin plated
- Insulator (housing): Thermoplastic (UL94V-0)

**Electrical cULus**

- Voltage rating: 300VAC
- Current rating: 20A
- Withstanding Voltage: 1.6KV
- Operating temperature: -30°C to +105°C
- Soldering temperature: 250°C±10°C/5 Sec
- Safety Approval: US

RoHS Compliant

**PART NUMBER:**

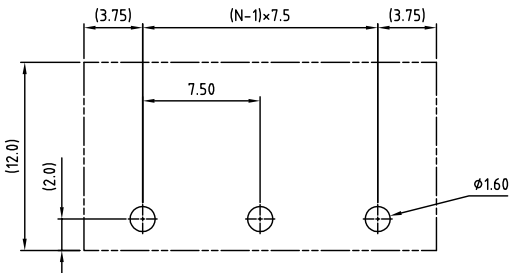
**OSTOQXXA151**

No. of Poles  
02: 2 Poles  
:  
:  
16: 16 Poles

**COLOR**  
0: Black  
5: Green (Standard)  
6: Blue  
8: Grey

N=Number of poles

**P.C.B LAYOUT**



THESE DRAWINGS AND SPECIFICATIONS ARE THE PROPERTY OF ON-SHORE TECHNOLOGY, INC. AND SHALL NOT BE REPRODUCED, COPIED OR USED IN ANY MANNER WITHOUT THE PRIOR WRITTEN CONSENT OF ON-SHORE TECHNOLOGY, INC.

<b>OST ON-SHORE TECHNOLOGY, INC.</b>									
TITLE		OST00. 7.5mm series closed right-angle 2p-16p							
PART NO.		OSTOQXXA151			DWG NO.		OSTOQXXA151.DWG		
APPROVED		CHECKED	DESIGNED	DRAWN	CUST NO.		Tolerance		
Shi Jun 2006.10.31		Marvin 2006.10.31	Marvin 2006.10.31	Marvin 2006.10.31			UNIT: mm		X. ±0.50
						SCALE: NONE		X.X ±0.30	
						SHEET: 01/01		REV: C	
								X.XX ±0.10	
								X* ±1°	