

Excellent Integrated System Limited

Stocking Distributor

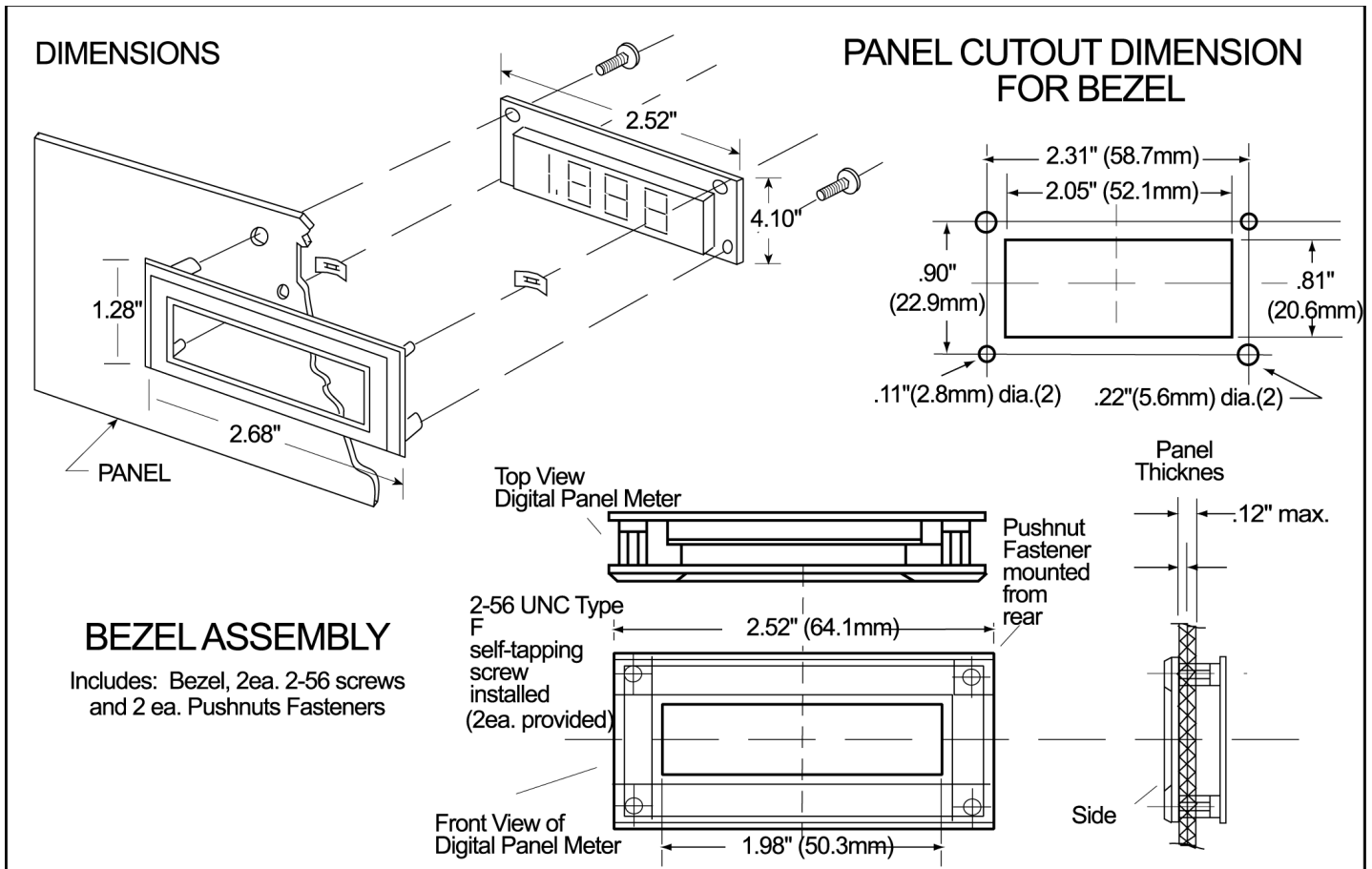
Click to view price, real time Inventory, Delivery & Lifecycle Information:

[C-TON Industries](#)
[DK601](#)

For any questions, you can email us directly:

sales@integrated-circuit.com

LED - 3.5 digit - CUTOUT

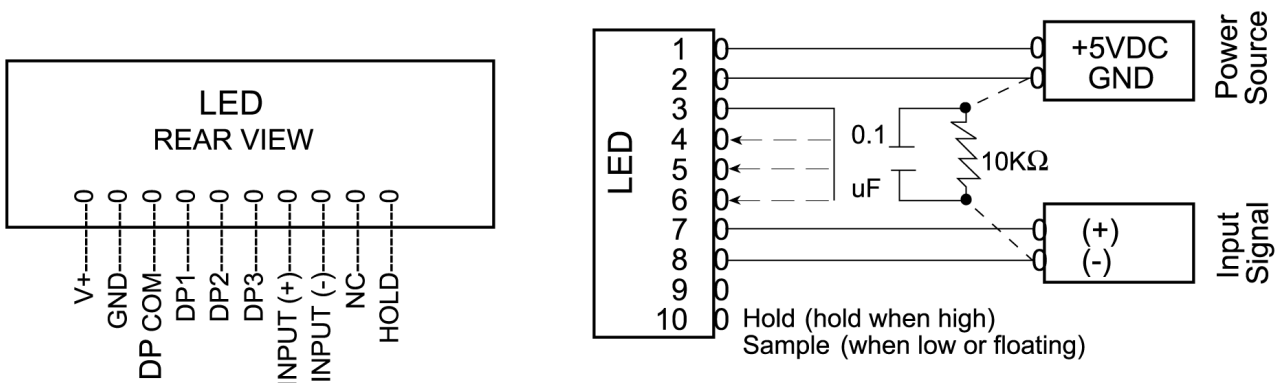


IS-004

Rev. 13H06

LED - 3.5 digit - WIRING

+5VDC WIRING CONNECTION



When systems require both power source and signal source to be isolated, please be sure to either directly wire or connect through a 10KΩ resistor, 0.1uF capacitor, pins two (2) and (8). By doing this errors caused