

Excellent Integrated System Limited

Stocking Distributor

Click to view price, real time Inventory, Delivery & Lifecycle Information:

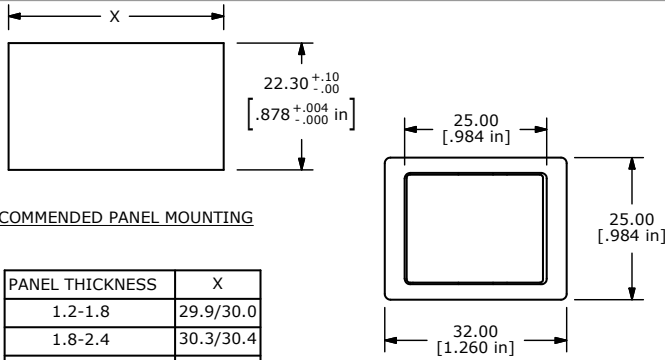
[E-Switch](#)
[RBW2ABLKBLKEF0](#)

For any questions, you can email us directly:

sales@integrated-circuit.com

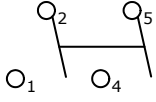
SHEET 1 OF 1

SWITCH FUNCTION ▲		
POS. 1	POS. 2	POS. 3
OFF	N/A	ON
OPEN	N/A	2-1, 5-4

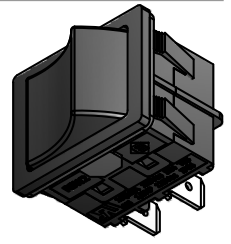


RECOMMENDED PANEL MOUNTING

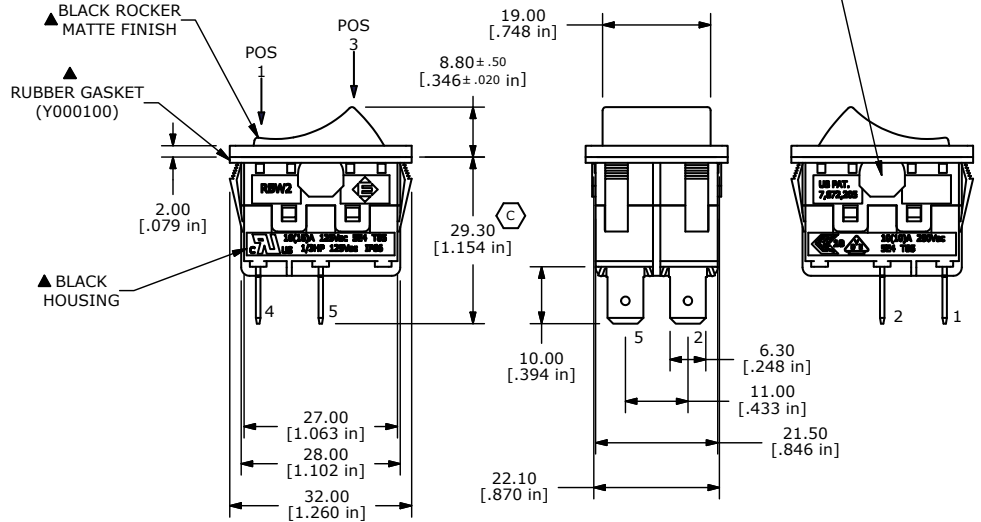
PANEL THICKNESS	X
1.2-1.8	29.9/30.0
1.8-2.4	30.3/30.4
2.4-3.0	30.7/30.8



CIRCUIT: SPDT
OFF-ON



- NOTES:
- ALL DIMENSIONS IN MM [INCH]
 - GENERAL TOLERANCE: X.X=±0.4
X.XX=±0.25
 - TERM. NOS. FOR REF. ONLY
 - RATING: CUL: 16(16)A 125VAC 5E4 T85
1/3HP 125VAC IP66
VDE: 10(10)A 250VAC 5E4 T85
 - MECHANICAL LIFE: 50,000 CYCLES
 - CONTACT RESISTANCE: <30 MILLI-OHMS INITIAL
 - DIELECTRIC STRENGTH: 1000V AC 1MIN
 - ▲ DENOTES CRITICAL PARAMETER.
 - INSULATION RESISTANCE: 500M OHMS AT 500VDC
 - OPERATING TEMP: -20°C to 85°C
 - RATING: IP66
 - 2002/95/EC (ROHS) COMPLIANT



C	20086	ADD RUBBER PLUG & GASKET, was 29.00	8/10/11	BGL
B	19686	UPDATE SYMBOLS ON HOUSING	02/16/11	BMA
A	19551	New Release	12/29/10	rc
REV	PCR NO	DESCRIPTION	DATE	BY



TITLE RBW2ABLKBLKEF0

SCALE 2:1

DATE 12/27/2010

DR rc

DWG Y100000

REV C

THE INFORMATION CONTAINED IN THIS DOCUMENT IS PROPRIETARY TO E-SWITCH AND IS NOT TO BE COPIED OR TRANSFERRED