

Excellent Integrated System Limited

Stocking Distributor

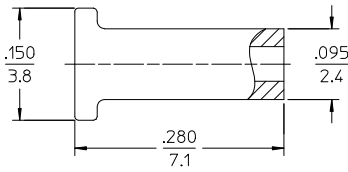
Click to view price, real time Inventory, Delivery & Lifecycle Information:

[Molex Connector Corporation](#)
[1060730022](#)

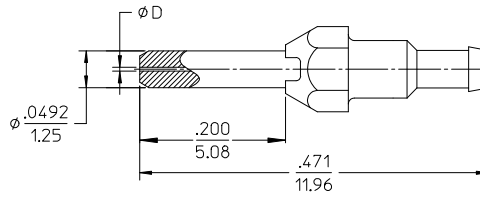
For any questions, you can email us directly:

sales@integrated-circuit.com

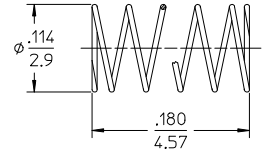
10 9 8 7 6 5 4 3 2 86073



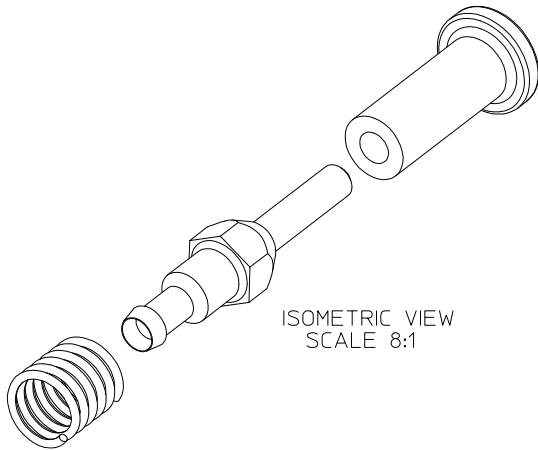
DUST CAP



LC PLUG, METAL BODY
(ZIRCONIA CERAMIC FERRULE)



COMPRESSION SPRING
(MUSIC WIRE)



ISOMETRIC VIEW
SCALE 8:1

KIT P/N	ϕD , mm	KIT TYPE
106073-0022	0.1255	SINGLE MODE
106073-0027	0.126	
106073-0032	0.127	MULTIMODE

NOTES:

1. ALL DIMENSIONS ARE FOR REFERENCE ONLY.
2. ALL PARTS ARE PACKED IN ONE BAG - 1 KIT PER BAG.
3. ALL PLASTIC MATERIALS ARE UL-94 V-0 RATED.

ENTER DESCRIPTION E.C. NO: ME2015-0148 DRAWN: GUMIN 2014/09/16 CHKD: GUMIN APPR: GUMIN 2014/09/17 REV: D2	QUALITY SYMBOLS $\nabla=0$ $\nabla=0$	GENERAL TOLERANCES (UNLESS SPECIFIED) <table border="1"> <thead> <tr> <th></th> <th>mm</th> <th>INCH</th> </tr> </thead> <tbody> <tr> <td>4 PLACES</td> <td>± .005</td> <td>± .0004</td> </tr> <tr> <td>3 PLACES</td> <td>± .004</td> <td>± .0003</td> </tr> <tr> <td>2 PLACES</td> <td>± .003</td> <td>± .0002</td> </tr> <tr> <td>1 PLACE</td> <td>± .002</td> <td>± .0001</td> </tr> <tr> <td>0 PLACE</td> <td>± .001</td> <td>± .0000</td> </tr> </tbody> </table>		mm	INCH	4 PLACES	± .005	± .0004	3 PLACES	± .004	± .0003	2 PLACES	± .003	± .0002	1 PLACE	± .002	± .0001	0 PLACE	± .001	± .0000	DIMENSION STYLE IN/MM	SCALE 8:1	DESIGN UNITS INCH	THIRD ANGLE PROJECTION
		mm	INCH																					
	4 PLACES	± .005	± .0004																					
	3 PLACES	± .004	± .0003																					
2 PLACES	± .003	± .0002																						
1 PLACE	± .002	± .0001																						
0 PLACE	± .001	± .0000																						
DRAWN BY KP	DATE 01/25/2006	TITLE SNAP MATE PLUG AND COMPRESSION SPRING KIT																						
CHECKED BY	DATE	APPROVED BY																						
DATE 2010/03/18	MATERIAL NO. SEE TABLE	DOCUMENT NO. SD-106073-0022	SHEET NO. 1 OF 1	THIS DRAWING CONTAINS INFORMATION THAT IS PROPRIETARY TO MOLEX INCORPORATED AND SHOULD NOT BE USED WITHOUT WRITTEN PERMISSION																				

9 8 7 6 5 4 3 2 1