

Excellent Integrated System Limited

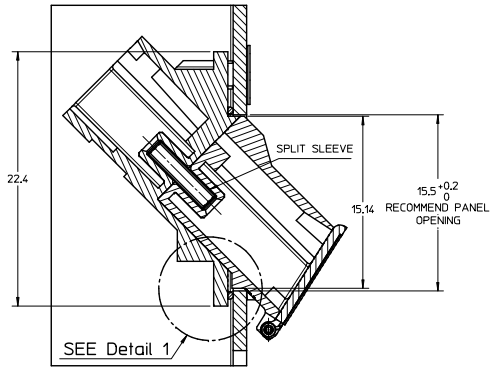
Stocking Distributor

Click to view price, real time Inventory, Delivery & Lifecycle Information:

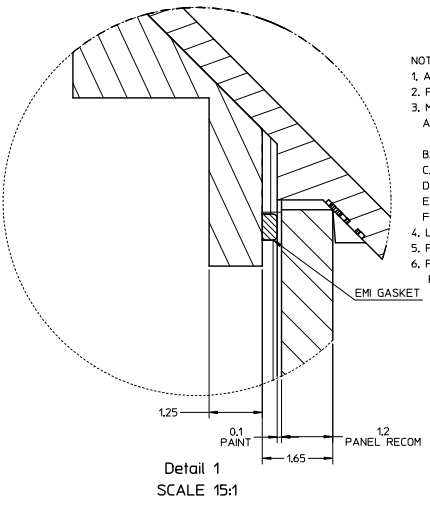
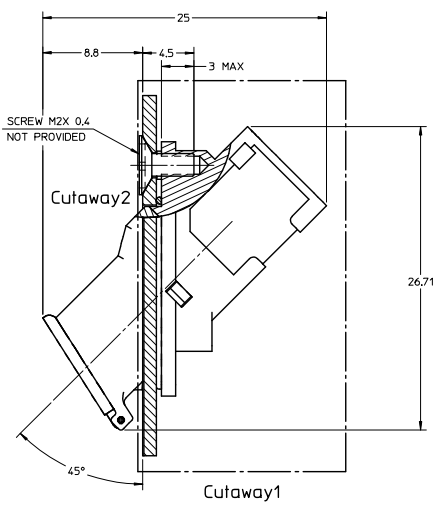
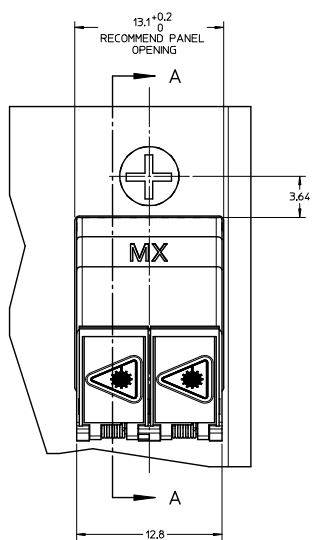
[Molex Connector Corporation](#)
[1061153201](#)

For any questions, you can email us directly:
sales@integrated-circuit.com

ADAPTER P/N	PLASTIC RECEPTACLE COLOR	SPLIT SLEEVE MATERIAL	SHUTTER DOORS MATERIAL
106115-3200	BLUE	Zr	METAL
106115-3201	GREEN		
106115-3206	BLUE	Ph, Bronze	
106115-3205	BLUE	Zr	PLASTIC, COLOR - BLUE

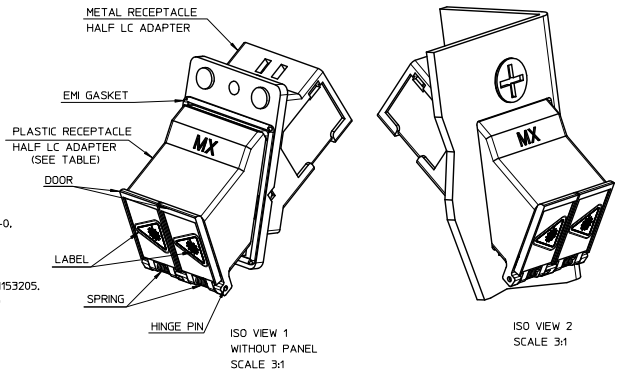


SECTION A-A



Detail 1
SCALE 15:1

- NOTES:
1. ALL DIMENSIONS ARE FOR REFERENCE ONLY.
 2. PARTS SHOWN ASSEMBLED FOR CUSTOMER REFERENCE ONLY.
 3. MATERIAL AND PLATING:
 - A. METAL RECEPTACLE HALF LC ADAPTER - ZINC DIE CAST PLATING - NICKEL.
 - B. PLASTIC RECEPTACLE HALF LC ADAPTER - POLYETHER IMIDE (PEI)UL94 V-0.
 - C. GASKET - SILICONE CONDUCTIVE ELASTOMER SNN 45.
 - D. SPLIT SLEEVE - ZIRCONIA.
 - E. LABEL - POLYESTER(UL 969)
 - F. ALL OTHER PARTS-METAL, EXCEPT PLASTIC SHUTTER DOORS FOR P/N 1061153205.
 4. LC DUPLEX WASH CAP (DUST CAP) NOT SHOWN - TEO ELASTOMER UL94 V-0
 5. PACKAGING: 25 ADAPTERS PER TRAY AND 4 TRAYS PER BOX.
 6. PACKING TRAY AND SHIPPING CONTAINER ARE LABELED WITH PRODUCT REVISION.



ENTER DESCRIPTION REC. NO: MF2015-0456 DRAWN: GOWIN 2015/01/30 CHKD: GOWIN APPR: GOWIN 2015/02/03 B4 REV	QUALITY SYMBOLS	GENERAL TOLERANCES (UNLESS SPECIFIED)	DIMENSION STYLE	SCALE	DESIGN UNITS	THIRD ANGLE PROJECTION
	▽=0	mm INCH	MM ONLY	4:1	METRIC	⊙
	▽=0	4 PLACES ± --- ± ---	DRAWN BY DATE	TITLE LC ADAPTER (EMI) 45 DEG SCREW MOUNT molex		
	▽=0	3 PLACES ± --- ± ---	RPACIFIC1 2006/01/31			
▽=0	2 PLACES ± --- ± ---	CHECKED BY DATE	DOCUMENT NO. SD-106115-3200 SHEET NO. 1 OF 1			
▽=0	1 PLACE ± --- ± ---	APPROVED BY DATE				
▽=0	0 PLACE ± --- ± ---	WCHEN 2010/08/30	THIS DRAWING CONTAINS INFORMATION THAT IS PROPRIETARY TO MOLEX INCORPORATED AND SHOULD NOT BE USED WITHOUT WRITTEN PERMISSION			
	ANGULAR ±1/2°	MATERIAL NO.				
DRAFT WHERE APPLICABLE MUST REMAIN WITHIN DIMENSIONS		SIZE C				