

## Excellent Integrated System Limited

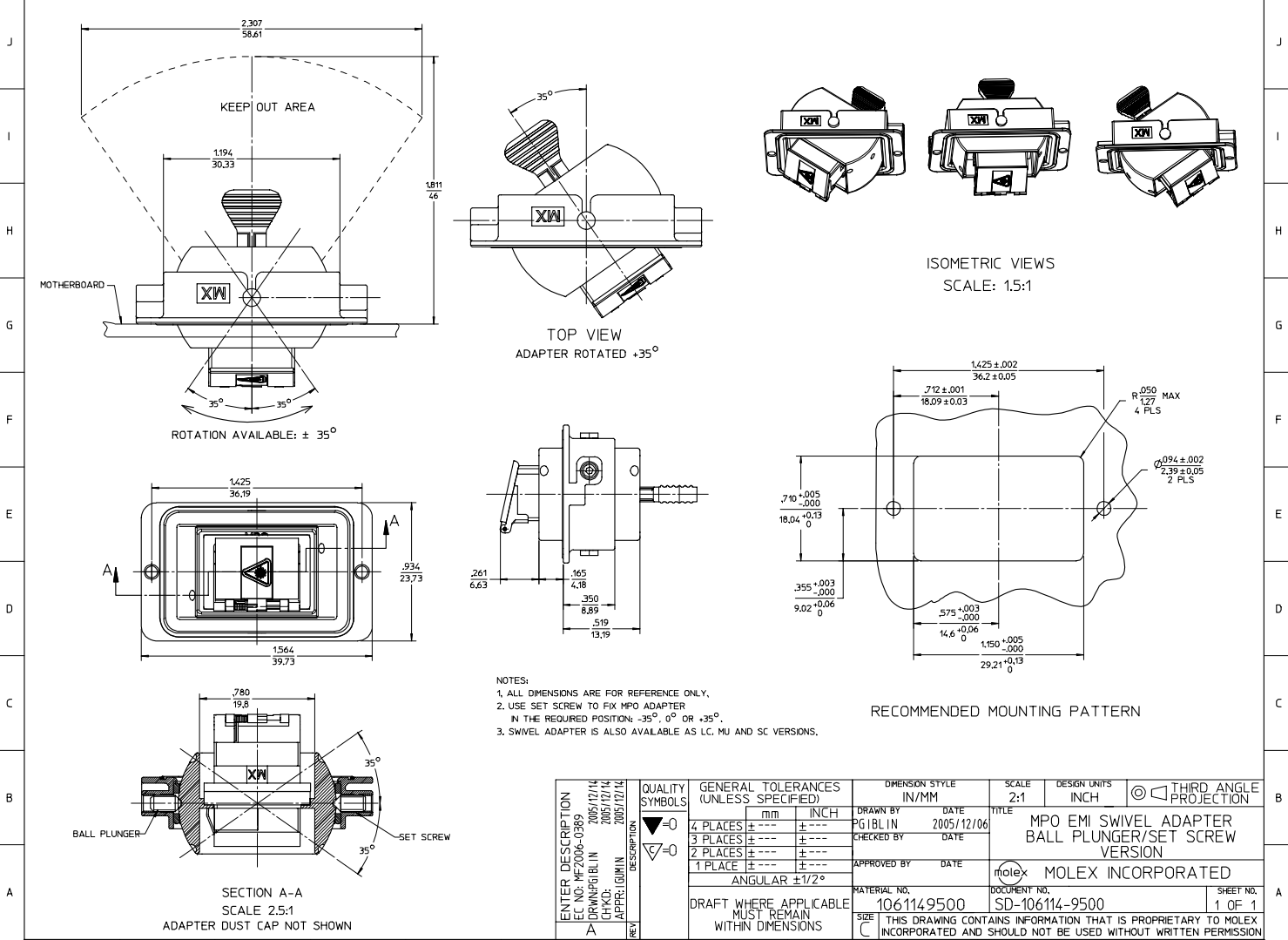
Stocking Distributor

Click to view price, real time Inventory, Delivery & Lifecycle Information:

[Molex Connector Corporation](#)  
[1061149500](#)

For any questions, you can email us directly:  
[sales@integrated-circuit.com](mailto:sales@integrated-circuit.com)

13 12 11 10 9 8 7 6 5 4 3 2 1



- NOTES:
1. ALL DIMENSIONS ARE FOR REFERENCE ONLY.
  2. USE SET SCREW TO FIX MPO ADAPTER IN THE REQUIRED POSITION: -35°, 0° OR +35°.
  3. SWIVEL ADAPTER IS ALSO AVAILABLE AS LC, MU AND SC VERSIONS.

ENTER DESCRIPTION ILC NO: MF-2006-0389 DRAWN BY: BLIN CHKD: BLIN APPR: IGMIN DATE: 2005/12/14 DATE: 2005/12/14 DATE: 2005/12/14	QUALITY SYMBOLS ▽=0 ∇=0	GENERAL TOLERANCES (UNLESS SPECIFIED)		DIMENSION STYLE	SCALE	DESIGN UNITS	THIRD ANGLE PROJECTION		
				IN/MM	2:1	INCH			
		4 PLACES ± --- ± ---	3 PLACES ± --- ± ---	2 PLACES ± --- ± ---	1 PLACE ± --- ± ---	DRAWN BY: PGIBLIN	DATE: 2005/12/06	TITLE: MPO EMI SWIVEL ADAPTER BALL PLUNGER/SET SCREW VERSION	
		ANGULAR ±1/2°				APPROVED BY:	DATE:	MOLEX INCORPORATED	
DRAFT WHERE APPLICABLE MUST REMAIN WITHIN DIMENSIONS		MATERIAL NO. 1061149500		DOCUMENT NO. SD-106114-9500		SHEET NO. 1 OF 1			
SIZE C THIS DRAWING CONTAINS INFORMATION THAT IS PROPRIETARY TO MOLEX INCORPORATED AND SHOULD NOT BE USED WITHOUT WRITTEN PERMISSION									

12 11 10 9 8 7 6 5 4 3 2 1