

Excellent Integrated System Limited

Stocking Distributor

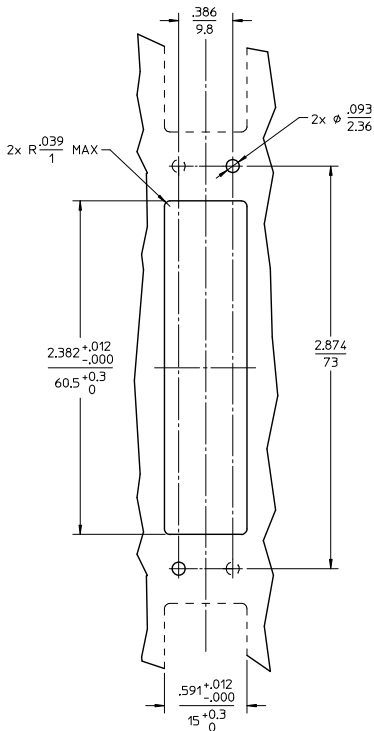
Click to view price, real time Inventory, Delivery & Lifecycle Information:

[Molex Connector Corporation](#)
[1061143200](#)

For any questions, you can email us directly:

sales@integrated-circuit.com

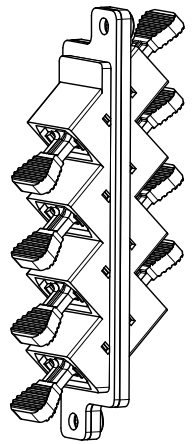
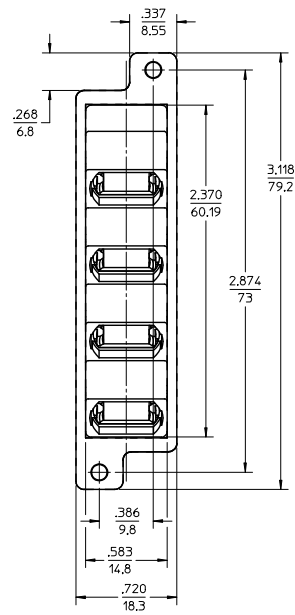
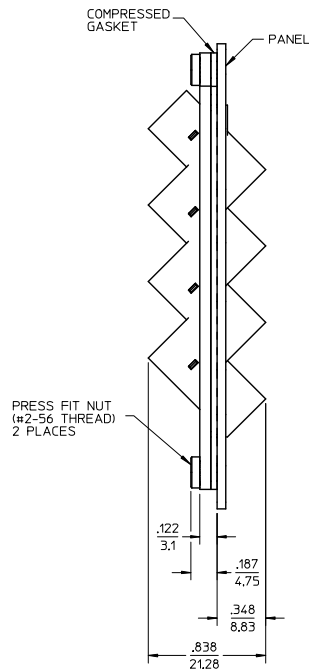
10 9 8 7 6 5 4 3 2 1



PANEL CUTOUT

NOTES:

- PART IS SUPPLIED WITH PRESS FIT NUT (#2-56 THREADS) AND SILICONE GASKET WITH CONDUCTIVE FILLER (SHOWN COMPRESSED).
- OUTER SHELL OF PART IS DIECAST.
- DUST CAPS SHOWN IN ISOMETRIC VIEW ONLY.



ENTER DESCRIPTION E.C. NO.: ME2013-0764 DRAWN/REVISED: 2012/11/06 CHKD: LUMIN APPR: LUMIN 2012/11/09	QUALITY SYMBOLS √=0 √=0 √=0	GENERAL TOLERANCES (UNLESS SPECIFIED)		DIMENSION STYLE INCH ONLY		SCALE 1.5:1	DESIGN UNITS INCH	THIRD ANGLE PROJECTION
		4 PLACES ± --- ± --- 3 PLACES ± --- ± --- 2 PLACES ± 0.10 ± --- 1 PLACE ± 0.10 ± --- 0 PLACE ± ±	mm INCH DRAWN BY: PG IBL IN DATE: 2005/11/17 CHECKED BY: DATE: APPROVED BY: DATE:	TITLE MPO EMI ADAPTER QUAD, 45 DEGREE			MATERIAL NO. 1061143200	
ANGLULAR ±1/2° DRAFT WHERE APPLICABLE MUST REMAIN WITHIN DIMENSIONS		THIS DRAWING CONTAINS INFORMATION THAT IS PROPRIETARY TO MOLEX INCORPORATED AND SHOULD NOT BE USED WITHOUT WRITTEN PERMISSION						

9 8 7 6 5 4 3 2 1